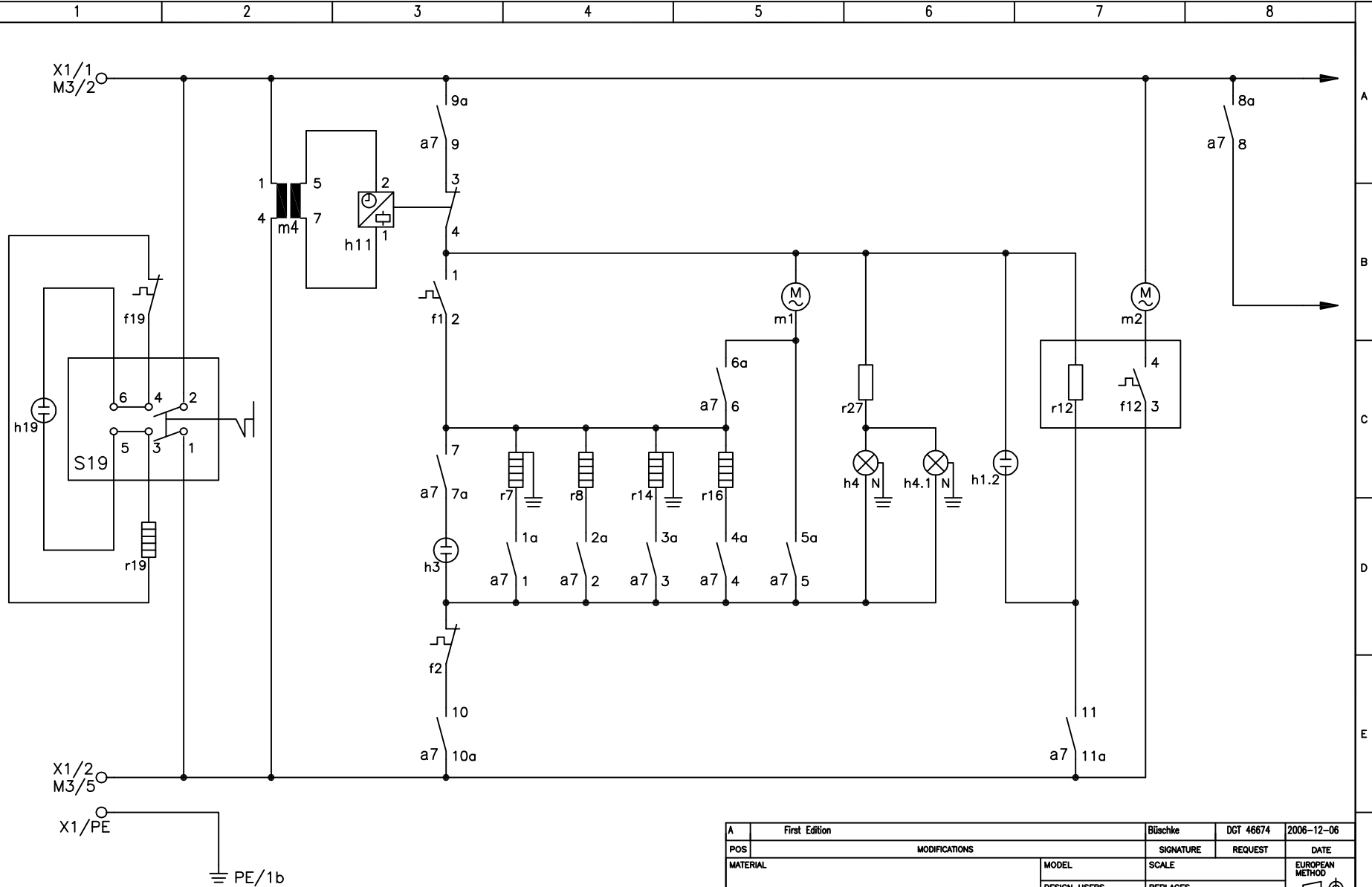


Items shown in this drawing must not contain substances that are banned according to Directive, 2002/95/EC, the RoHS Directive (Lead, Cadmium, Mercury, hexavalent Chromium, PBB and PBDE), or substances classified as "Banned" or "Restricted" according to the Electrolux Restricted Materials List.

This drawing contains confidential information and is the property of Electrolux, without whose permission it may not be copied, shown or handed to a third party or otherwise used and it is to be returned promptly upon request to the design owner, who is responsible for the drawing.



GENERAL TOLERANCES  
 ANGLES  
 LENGTHS AND DIAMETERS

VARIANT NUMBER.	REPLACED NUMBER	POS.	MODEL	DESIGN USERS	CHANGES FROM THE BASE NUMBER

A First Edition		Büschke		DGT 46674		2006-12-06	
MODIFICATIONS				SIGNATURE		REQUEST	
MATERIAL				SCALE		DATE	
TREATMENT				DESIGN USERS		REPLACES No	
WEIGHT				DERIVED FROM No		EUROPEAN METHOD	
DESIGN OWNER DRN		CHD Büschke		SUPPLY SPECIFICATIONS No			
DGT		DATE 2006-12-06		APPR Büschke			
				TITLE circuit diagram			
				Schaltplan			
				NUMBER 315 8623		REV A	
						SHEET 1/1	

