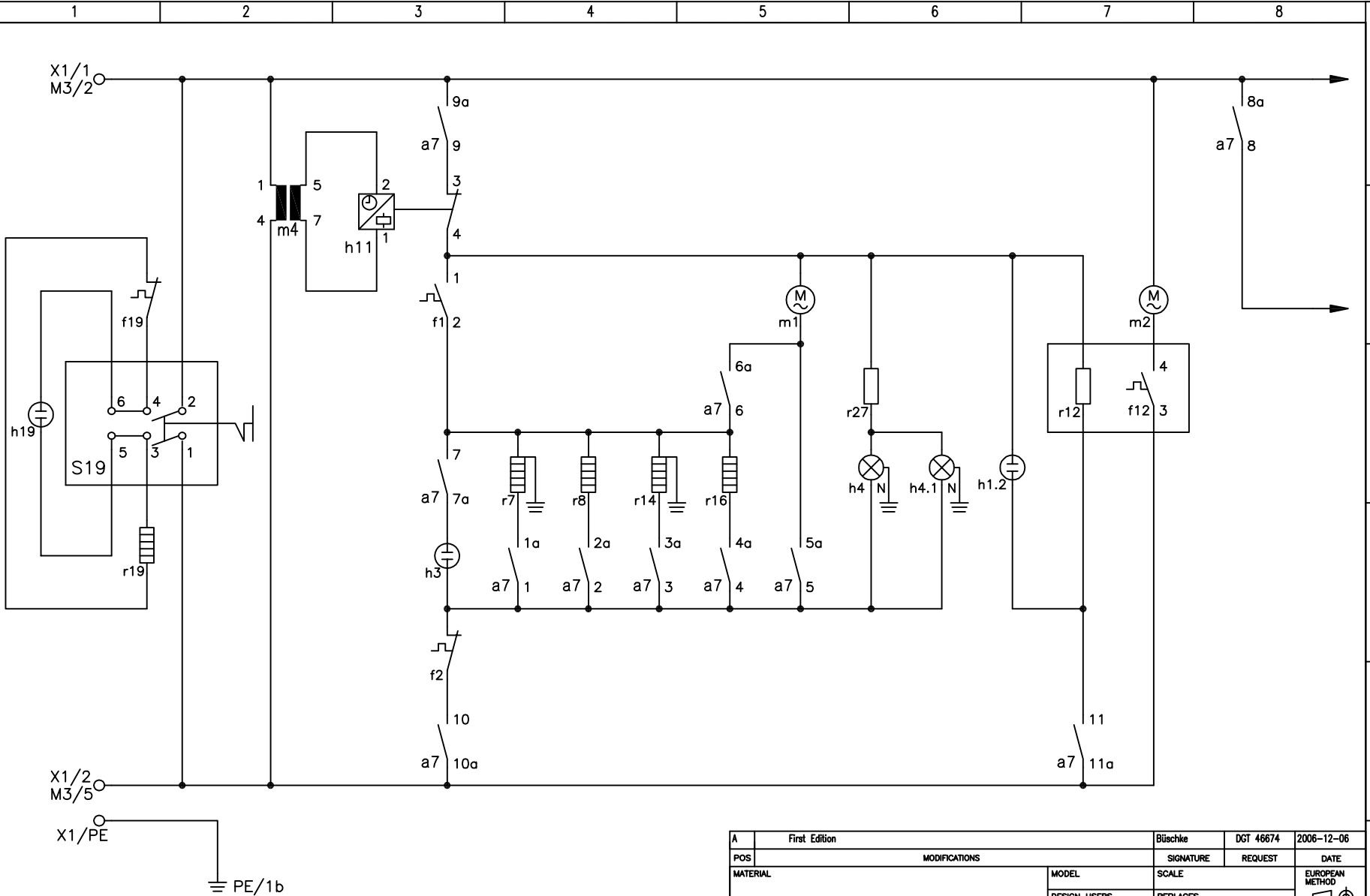


Items shown in this drawing must not contain substances that are banned according to Directive, 2002/95/EC, the RoHS Directive (Lead, Cadmium, Mercury, hexavalent Chromium, Polychlorinated Biphenyls, or Polybrominated Biphenyls), or substances classified as "Restrictive" or "Prohibited" according to the Electrolux Restricted Materials List.

This drawing contains confidential information and is the property of Electrolux. Without whose permission no part of this drawing may be reproduced, stored in a retrieval system, or otherwise used and it is to be returned promptly upon request to the design owner, who is responsible for the drawing.



GENERAL TOLERANCES
 ANGLES
 LENGTHS AND DIAMETERS

VARIANT NUMBER.	REPLACED NUMBER	POS.	MODEL	DESIGN USERS	CHANGES FROM THE BASE NUMBER

First Edition				Büschke	DGT 46674	2006-12-06
MODIFICATIONS				SIGNATURE	REQUEST	DATE
MATERIAL			MODEL		SCALE	
TREATMENT			DESIGN USERS		REPLACES No	
DESIGN OWNER			DRN		DERIVED FROM No	
DGT			DATE 2006-12-06		SUPPLY SPECIFICATIONS No	
CHD Büschke			2D ONLY		TITLE circuit diagram	
APPR Büschke			CONCEPT 3D		Schaltplan	
EXACT 3D			TITLE		NUMBER 315 8621	
					REV A	
					SHEET 1/1	

