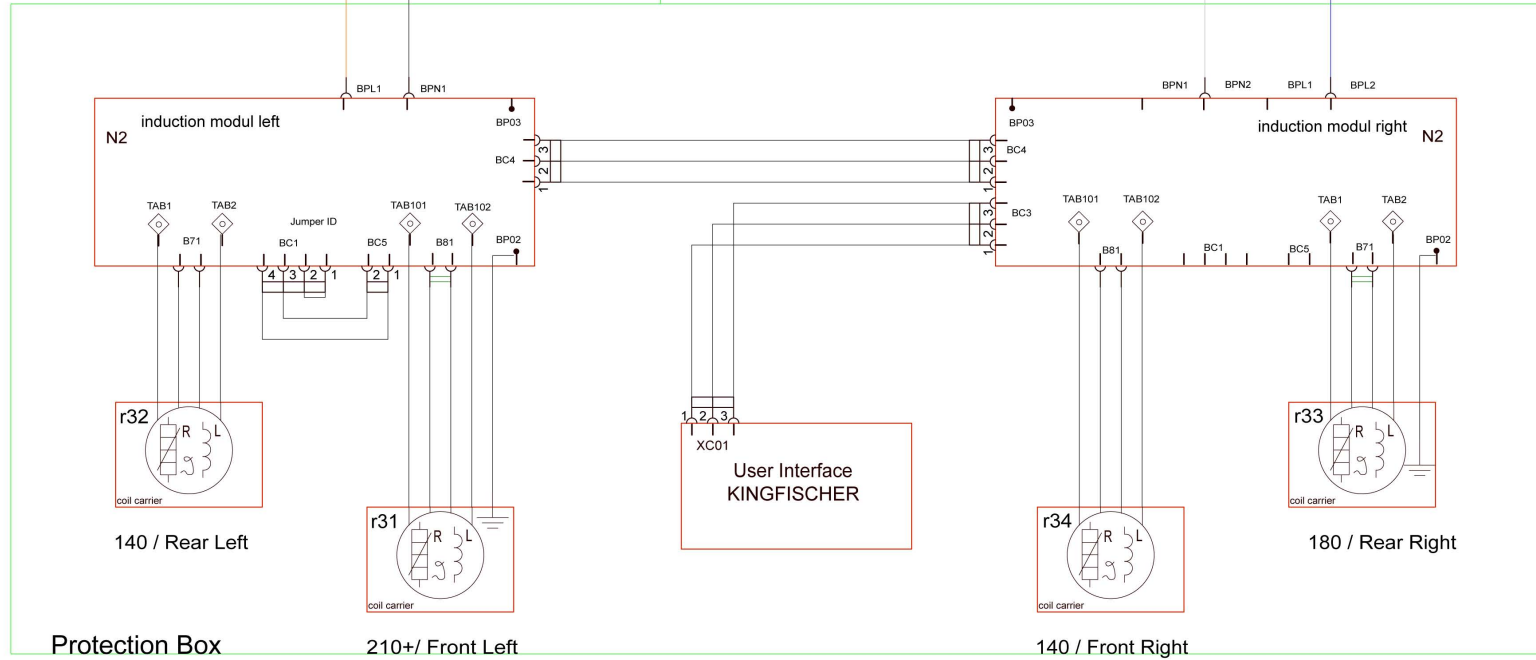


L2 ○
L3 ○
N ○
PE ○



808524001