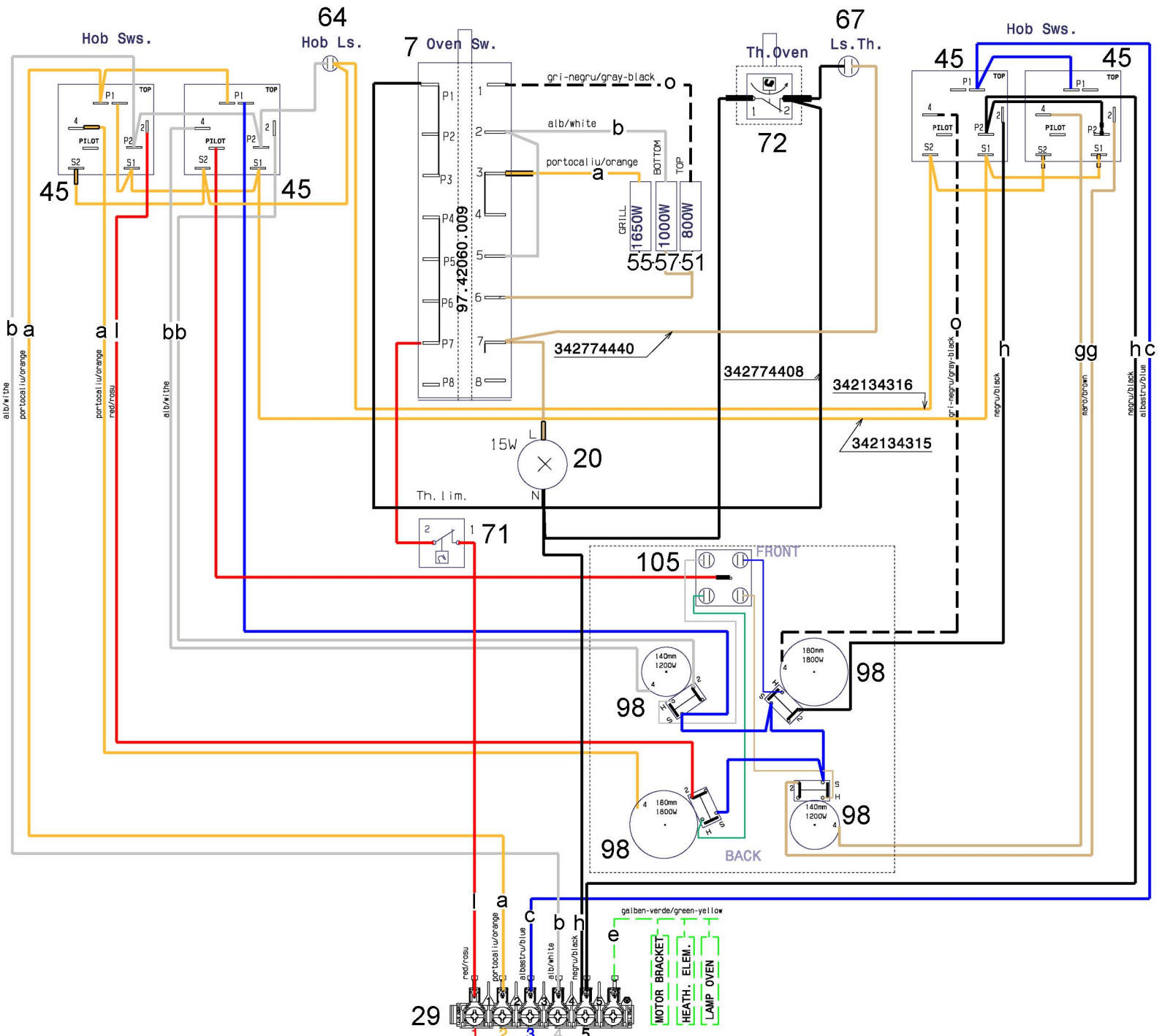


342142902



8075222 (97.42060.009)

OVEN SWITCH

POS.	0	1	2	3	4	5	6	7
1-P1								
2-P2								
3-P3								
4-P4								
5-P5								
6-P6								
7-P7								
8-P8								

ENERGY REGULATOR

POSITION	0	1	max
S → S			
P2 → 4			
P1 → 1			