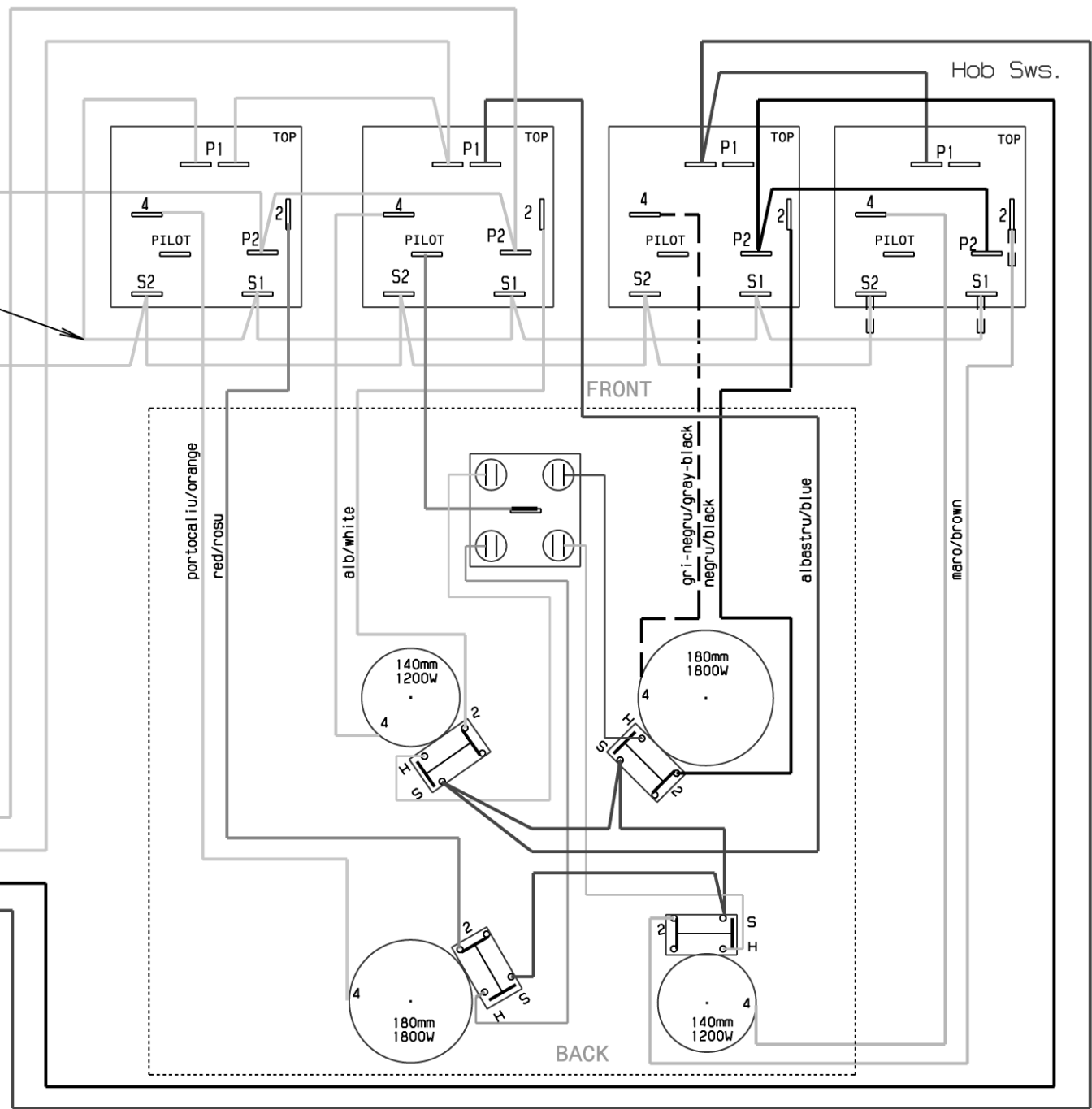
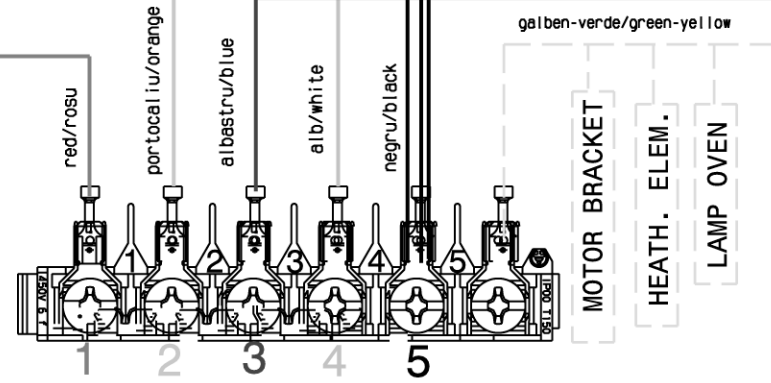
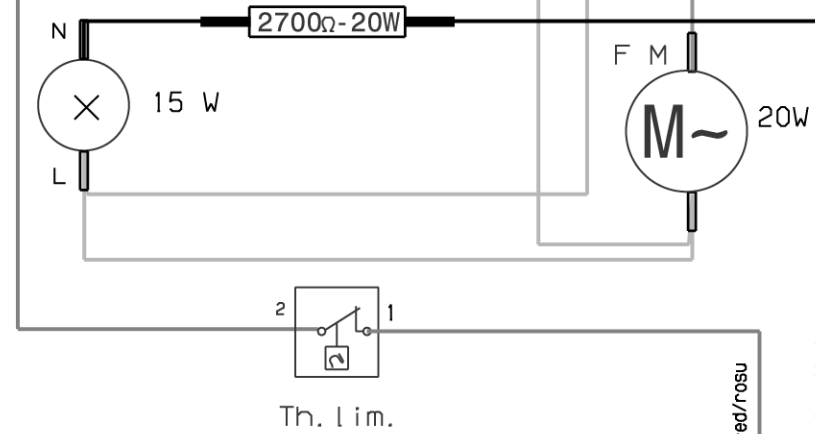


342134305
342134306



ENERGY REGULATOR

POSITION	0	1	max
S — S		[Hatched area]	
P2 — 4		[Hatched area]	
P1 — 1		[Hatched area]	

3570069 (46.23866.814)

OVEN SWITCH		[Symbol]	[Symbol]	[Symbol]	[Symbol]	[Symbol]
POS.	0	60	120	180	240	300
4-P2		[Hatched]	[Hatched]	[Hatched]	[Hatched]	[Hatched]
3-P1			[Hatched]	[Hatched]	[Hatched]	[Hatched]
1-P1		[Hatched]		[Hatched]	[Hatched]	[Hatched]
2-P1		[Hatched]			[Hatched]	[Hatched]
5-P3					[Hatched]	[Hatched]