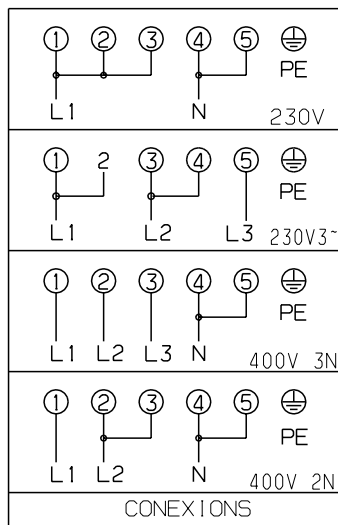


342750856

OVEN SWITCH

POS.	0	72	144	216	288
4-P2					
3-P1					
1-P1					
2-P1					
5-P3					

46. 25266. 514



ENERGY REGULATOR

POSITION	1	max
S ←→ S		
P2 ←→ 4		
P1 ←→ 1		

DOUBLE ENERGY REGULATOR

POSITION	0	1	3max
S ←→ S			
P2 ←→ 4			
P1 ←→ 1			
4 ←→ 4A			