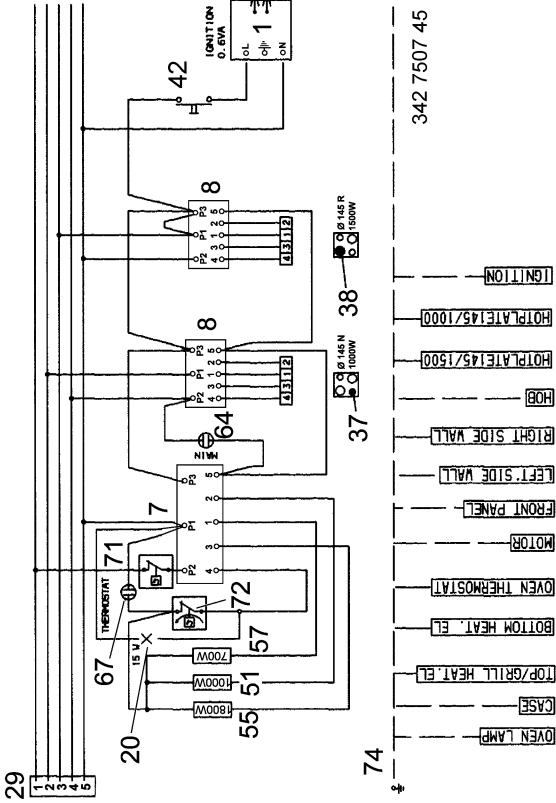


OVEN SWITCH

POS.	0	30	60°	90°	120°	150°	180°
4-P2							
3-P1							
1-P1							
2-P1							
5-P3							

HOB SWITCH  
THE SEVEN POSITIONS OF THE SWITCH  
ARE EQUIDISTANT DISTRIBUTED

POS	0	6	5	4	3	2	1
4 - P2							
3 - P2							
3 - P1							
1 - P1							
2 - P1							
5 - P3							



342 7507 45

