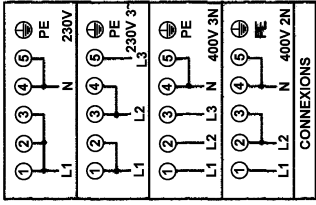
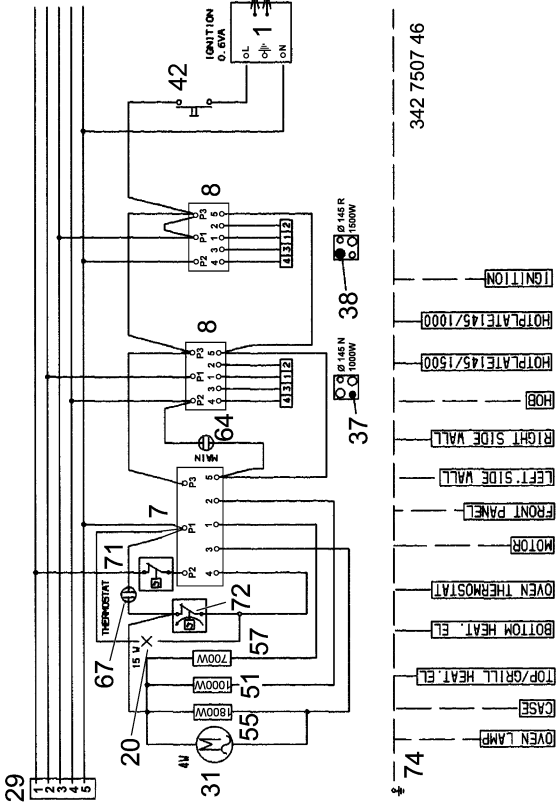


OVEN SWITCH

POS.	0	30	60+	240	270	300	330
4 - P2							
3 - P1							
1 - P1							
2 - P1							
5 - P3							

HOB SWITCH
THE SEVEN POSITIONS OF THE SWITCH
ARE EQUIDISTANT DISTRIBUTED

POS	0	6	5	4	3	2	1
4 - P2							
3 - P2							
3 - P1							
1 - P1							
2 - P1							
5 - P3							



342 7507 46

- OVEN LAMP
- CASE
- TOP/GRILL HEAT. EL.
- BOTTOM HEAT. EL.
- OVEN THERMOSTAT
- MOTOR
- FRONT PANEL
- LEFT SIDE WALL
- RIGHT SIDE WALL
- HOB
- HOTPLATE145/1500
- HOTPLATE145/1000
- IGNITION