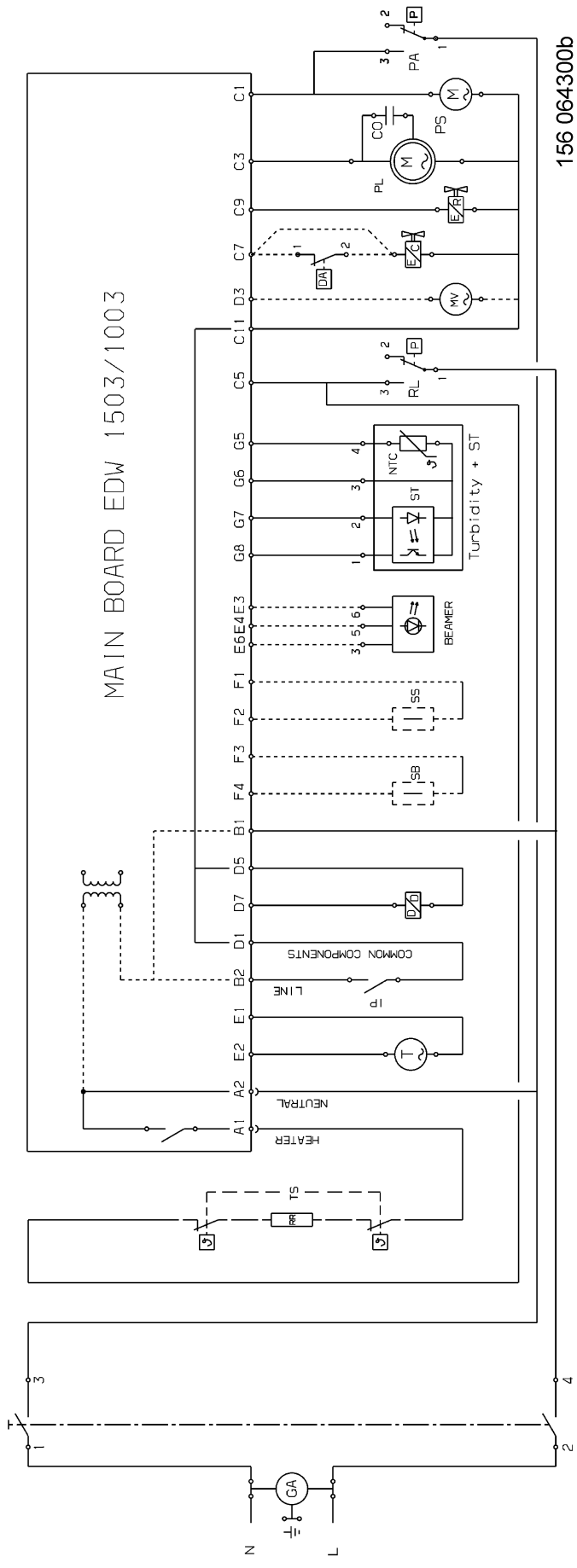


MAIN BOARD EDW 1503/1003



156 064300b