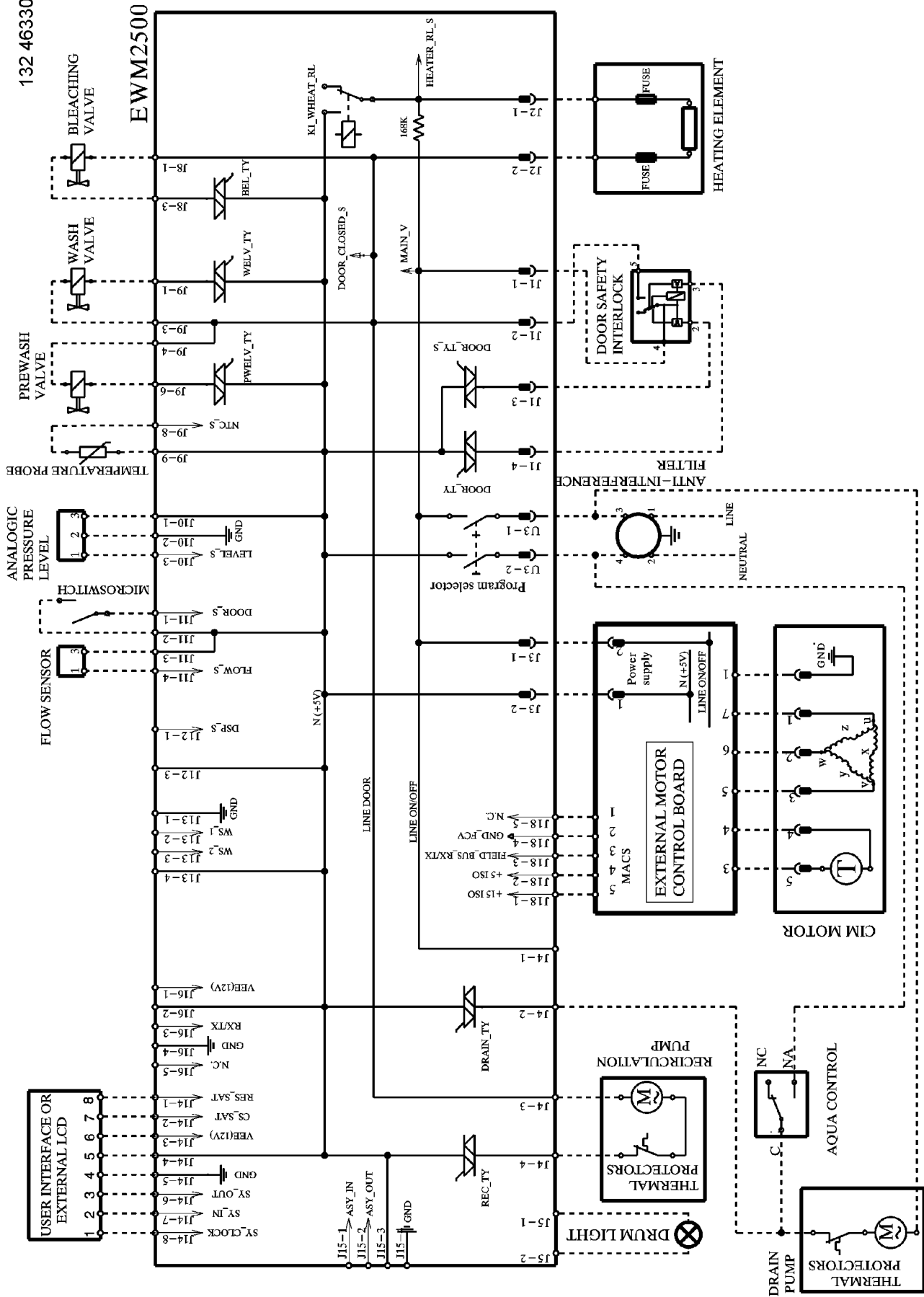


# EWM2500



BLEACHING VALVE

WASH VALVE

PREWASH VALVE

TEMPERATURE PROBE

ANALOGIC PRESSURE LEVEL

MICROSWITCH

FLOW SENSOR

DOOR SAFETY INTERLOCK

HEATING ELEMENT

DRUM LIGHT

THERMAL PROTECTORS

RECIRCULATION PUMP

AQUA CONTROL

CIM MOTOR

EXTERNAL MOTOR CONTROL BOARD

ANTI-INTERFERENCE FILTER

DOOR SAFETY INTERLOCK

HEATING ELEMENT

FUSE