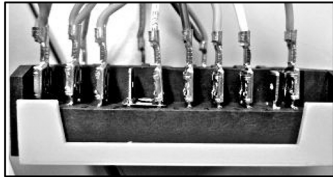
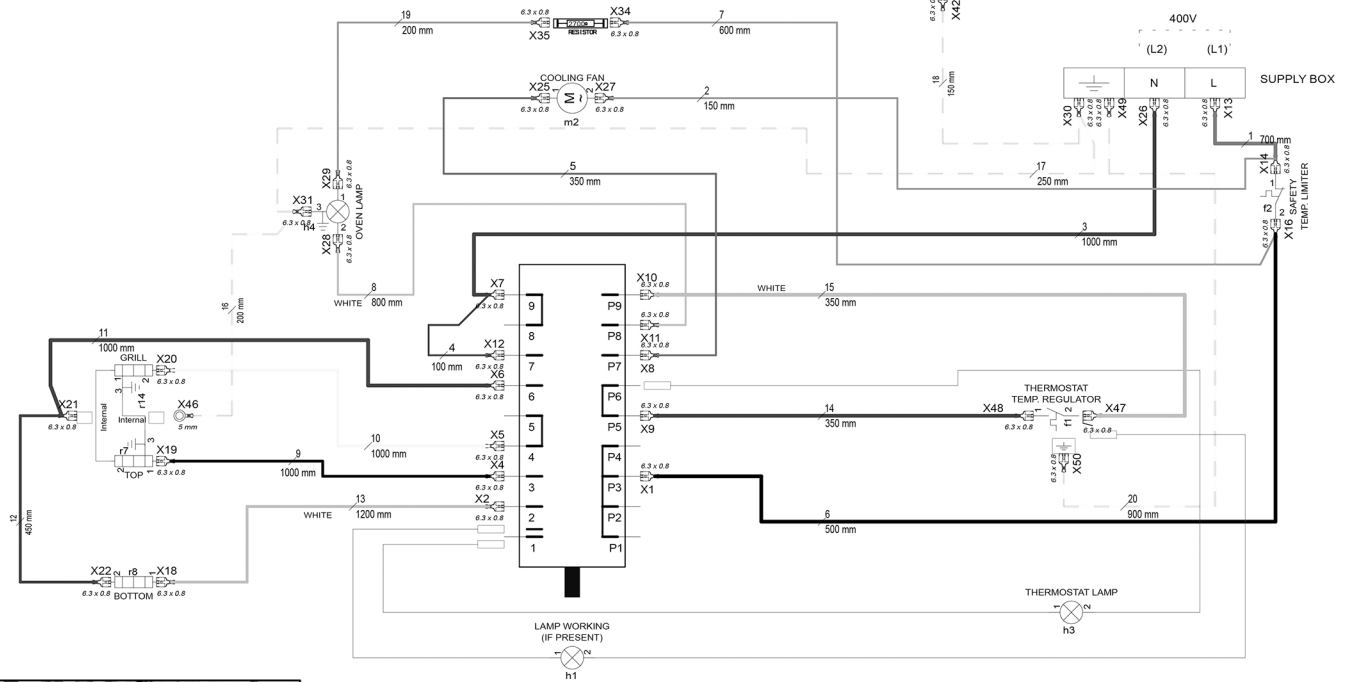


EARTH OF STRUCTURE



NOTE FOR THE ASSEMBLY:
 ROTATION OF THE CRIMP CONTACTS
 HAVE TO BE ALWAYS IN SAME ORIENTATION
 AS IN THE PHOTO ABOVE

ANC ROTARY SWITCH: A12251401

