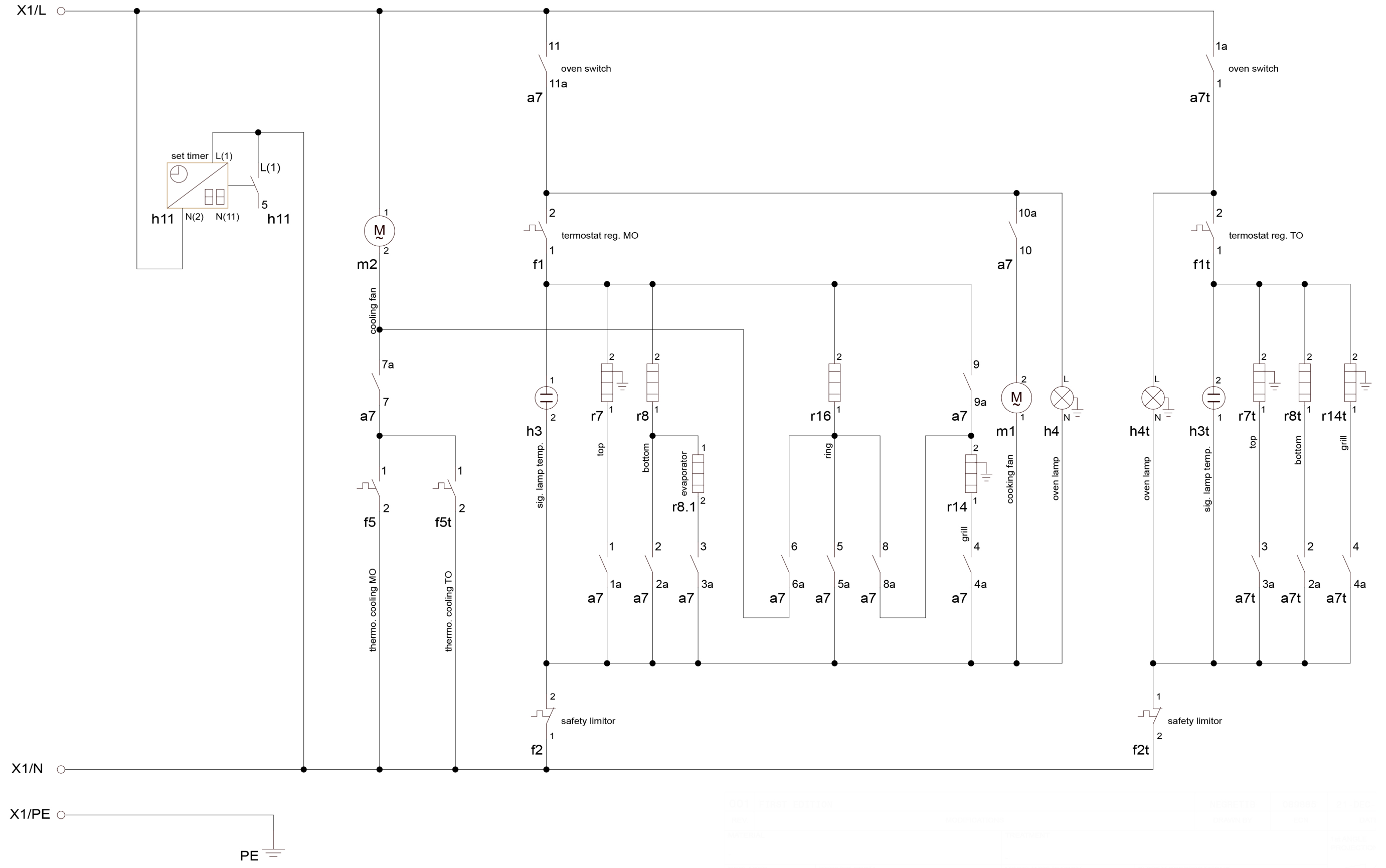


Copyright © 2017 Electrolux. All rights reserved. This document is the property of Electrolux. Without written permission, any reproduction, copying, or distribution is prohibited. This document is intended for internal use only. It is not to be distributed outside the company. The information contained herein is confidential and its disclosure is prohibited.

Dimensions / Features, which are Critical to Quality (CTQ) but do not require statistic control are indicated with CTQ



001 FIRST EDITION		REVISIONS	DATE
REV.	DESCRIPTION	DATE BY	DATE
MATERIAL	TREATMENT	REVISIONS	REVISIONS
REPLACES	DERIVED FROM	REVISIONS	REVISIONS
APP. VOLUME	DESIGN BY	DATE	NAME
REVISION	APPROVED	BY	DATE
REVISION	REVISIONS	REVISIONS	REVISIONS

**CIRCUIT DIAGRAM**

**A13307401**



A13307401	A	EN	P.L.A.	REV. 01	01/2017	01/2017	01/2017
WARRANT NUMBER	REV.	REPLACES	DECLARATION	IMPURITY LEVEL	REVISIONS	REVISIONS	REVISIONS

WIRING	REVISIONS	DATE
001	001	01/2017
2/4		