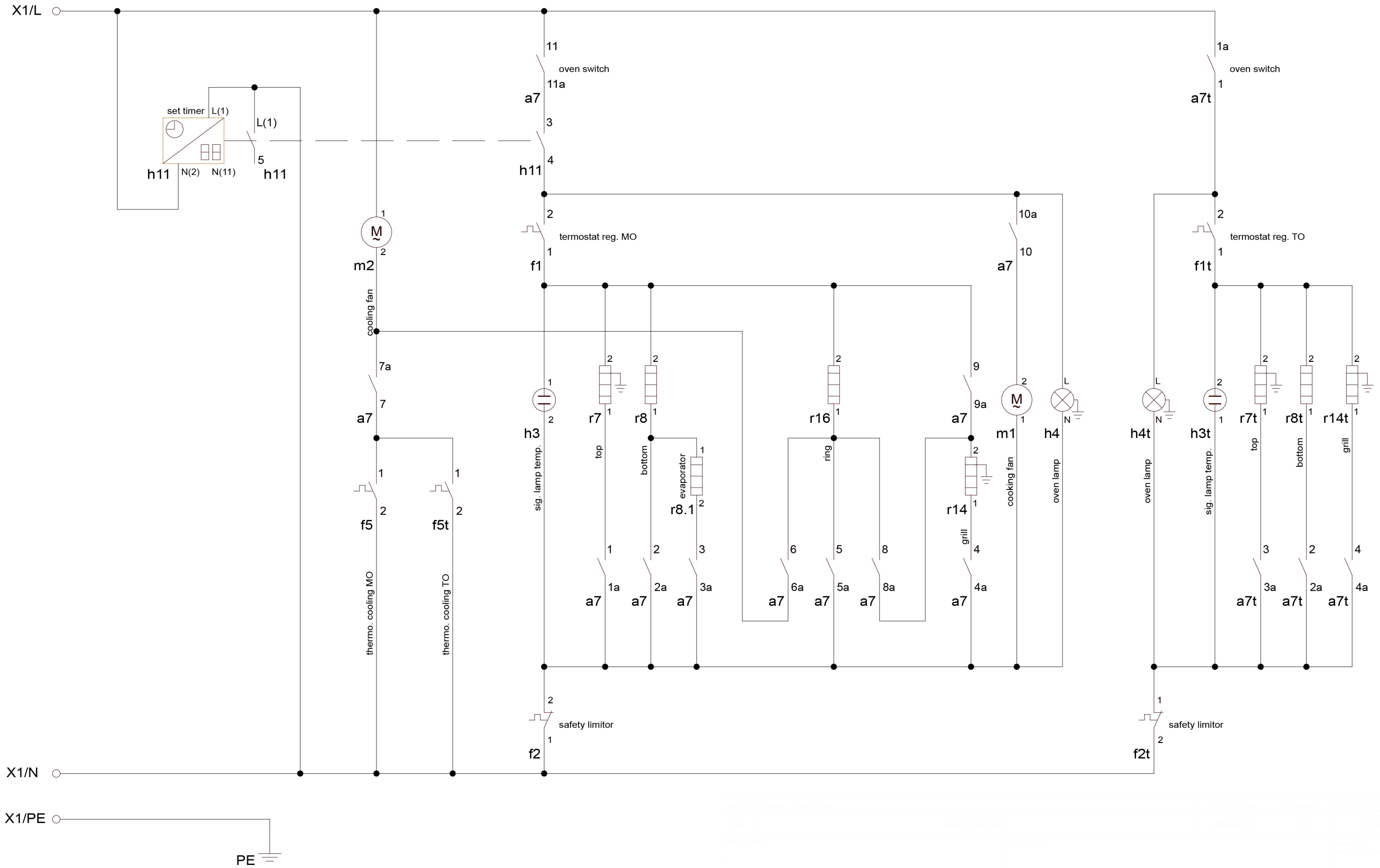


Dimensions, data and characteristics, which are subjected

to not require electric control are indicated with



001 FIRST EDITION		VERSION	DATE
REV.	DESCRIPTION	DRAWN BY	DATE
MATERIAL	TREATMENT	REVISION	REASON
REPLACES	DERIVED FROM	REVISION	REASON
QUANTITY	QUANTITY	DATE	DATE
DESIGN CENTER	APPROVED	DATE	DATE
PREPARATION	REVISION	DATE	DATE
CIRCUIT DIAGRAM		LOCAL NAME	
DESCRIPTION		REVISION	
WIRING		REVISION	
001 25782		REASON	

A13307402



A	REV.	P.L.A.	DATE
REV.	DESCRIPTION	REVISION	REASON
001			
001			