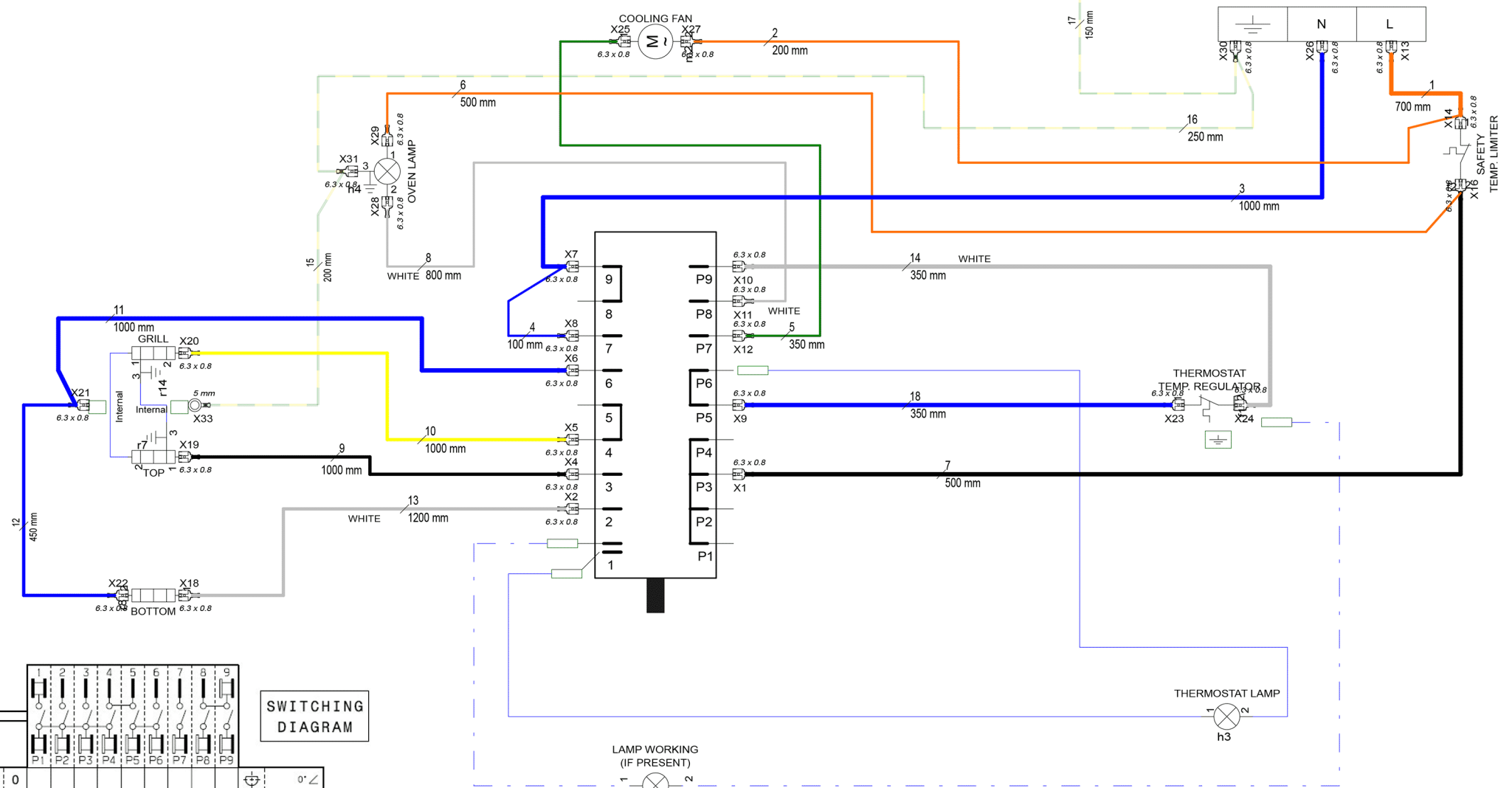


SUPPLY BOX



SWITCHING DIAGRAM

POSITIONS	SWITCHING DIAGRAM									FUNCTIONS	
	1	2	3	4	5	6	7	8	9		
0										0°	ECO
1	X	X			X	X	X	X		60,00°	
2	X		X		X	X	X	X		120,00°	
3	X		X	X	X	X	X	X		180,00°	
4	X	X	X		X	X	X	X		240,00°	
5	X	X	X	X		X		X		300,00°	
.											
.											
.											
.											