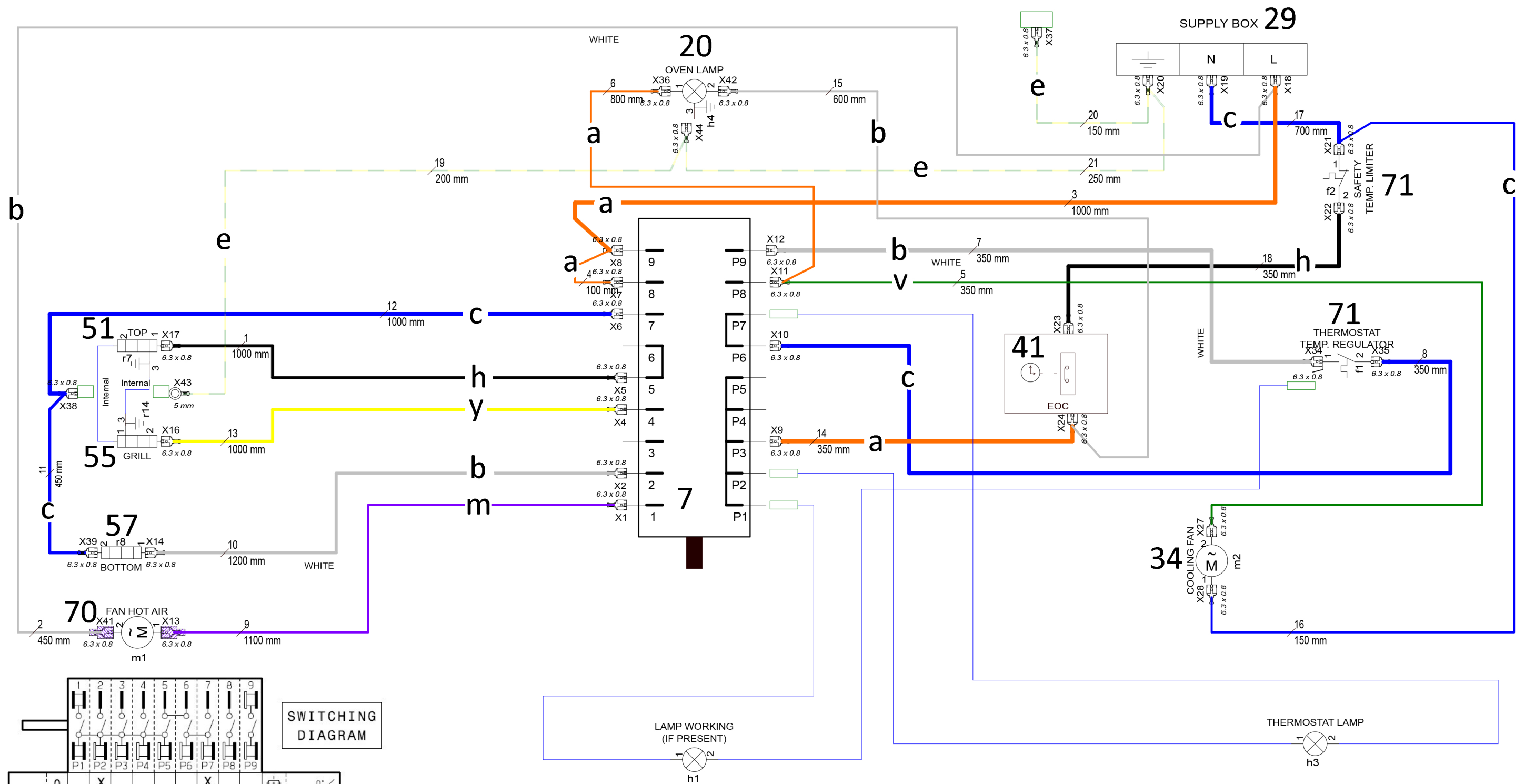


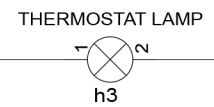
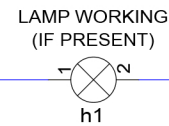
Dimensions / Features, which are Critical to Quality (CTQ) but do not require statistic control are indicated with

EARTH OF STRUCTURE



SWITCHING DIAGRAM

| POSITIONS | 1 | 2 | 3 | 4 | 5 | 6 | 7 | 8 | 9 | FUNCTIONS |
|-----------|---|---|---|---|---|---|---|---|---|-----------------|
| 0 | | X | | | | X | | | | 0° ∠ |
| 1 | X | X | | | X | X | X | X | | 45.00° ∠ |
| 2 | | X | | | X | X | X | X | | 90.00° ∠ |
| 3 | | X | | | | X | X | X | | 135.00° ∠ |
| 4 | X | | | X | | X | X | X | | 180.00° ∠ |
| 5 | | | | X | X | X | X | X | | 225.00° ∠ |
| 6 | | | X | X | | X | X | X | | 270.00° ∠ (tap) |
| 7 | X | X | | X | | X | X | X | | 315.00° ∠ ECO |
| - | | | | | | | | | | |
| - | | | | | | | | | | |
| - | | | | | | | | | | |



A13051501