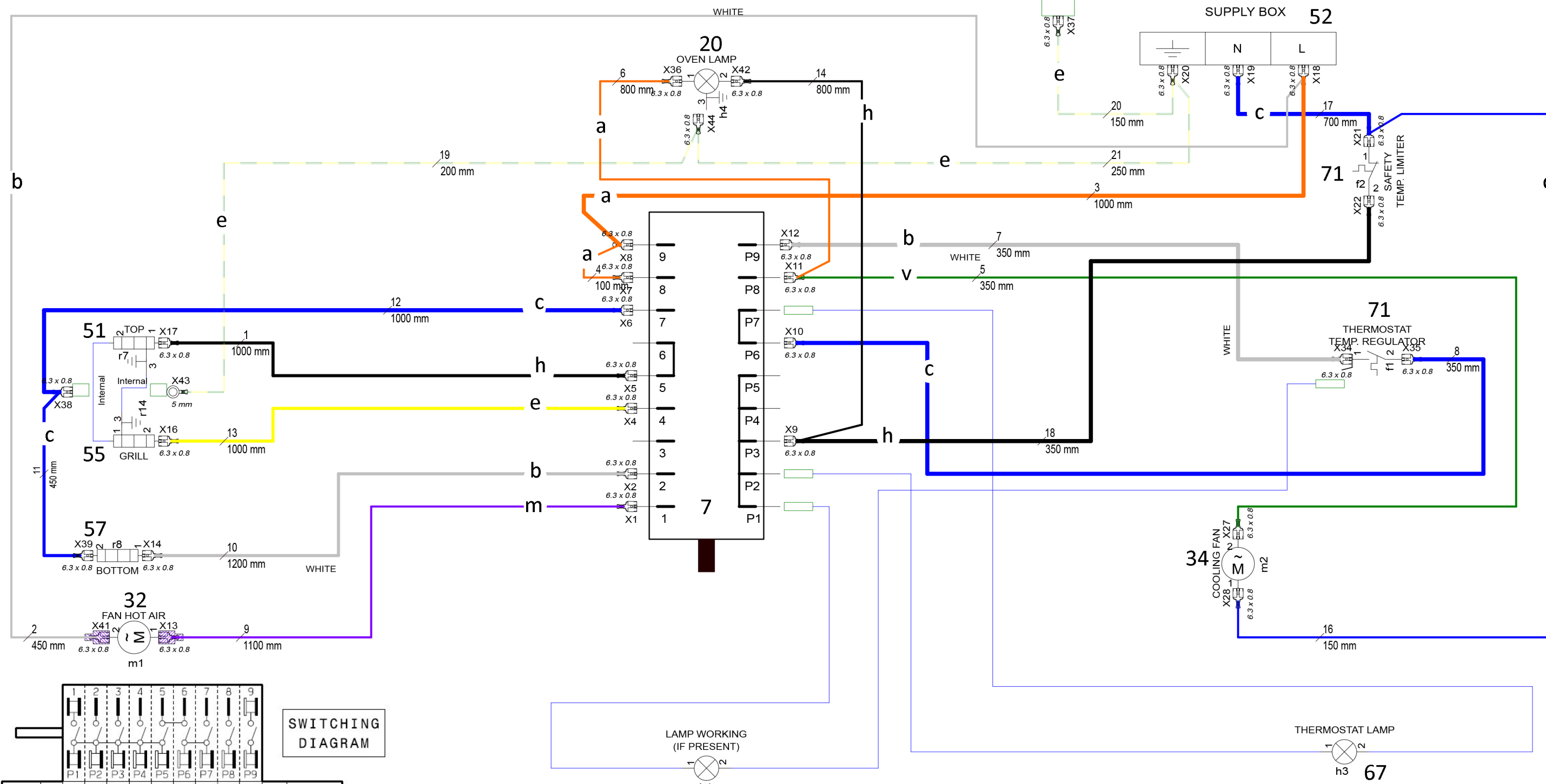


EARTH OF STRUCTURE



**SWITCHING DIAGRAM**

| POSITIONS | 1 | 2 | 3 | 4 | 5 | 6 | 7 | 8 | 9 | FUNCTIONS       |
|-----------|---|---|---|---|---|---|---|---|---|-----------------|
| 0         |   | X |   |   |   |   | X |   |   | 0° ∠            |
| 1         | X | X |   |   | X | X | X | X |   | 45.00° ∠        |
| 2         |   | X |   |   | X | X | X | X |   | 90.00° ∠        |
| 3         |   | X |   |   |   | X | X | X |   | 135.00° ∠       |
| 4         | X |   |   | X |   | X | X | X |   | 180.00° ∠       |
| 5         |   |   |   | X | X | X | X | X |   | 225.00° ∠       |
| 6         |   |   | X | X |   | X | X | X |   | 270.00° ∠ (tap) |
| 7         | X | X |   | X |   | X | X | X |   | 315.00° ∠ ECO   |
| -         |   |   |   |   |   |   |   |   |   |                 |
| -         |   |   |   |   |   |   |   |   |   |                 |
| -         |   |   |   |   |   |   |   |   |   |                 |

**ROTARY SWITCH: A12665201**  
**LIST OF CRIMP CONTACTS: 330176600**