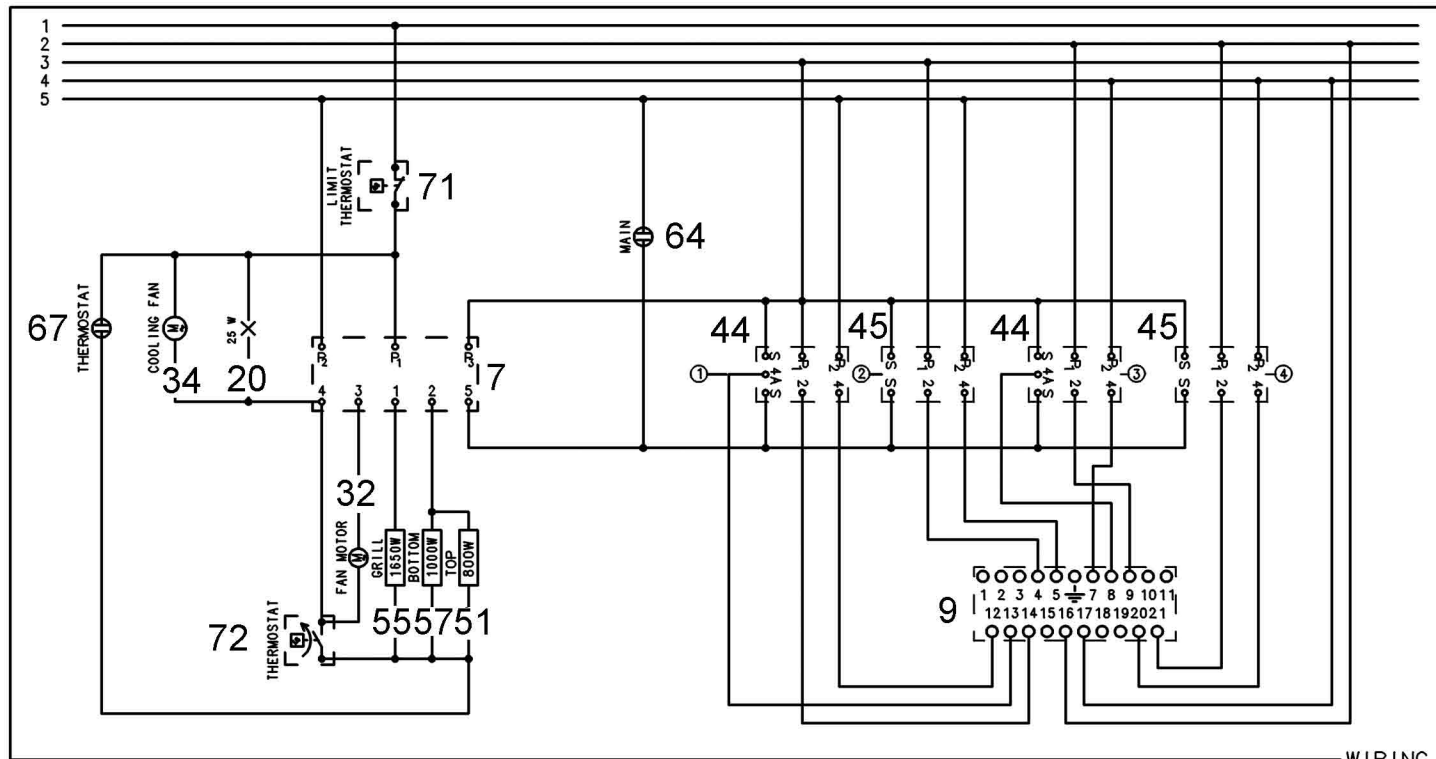


# 357430101a



OVEN SWITCH		8	144	216	288
4 - P2	0	72	144	216	288
3 - P1					
1 - P1					
2 - P1					
5 - P3					

ENERGY REGULATOR		②④	7 max.
POSITION	0	1	
S	→	→	S
P2	→	→	4
P1	→	→	1

DOUBLE ENERGY REGULATOR		①③	12
POSITION	0	1	
S	→	→	S
P2	→	→	4
P1	→	→	2
4	→	→	4A