

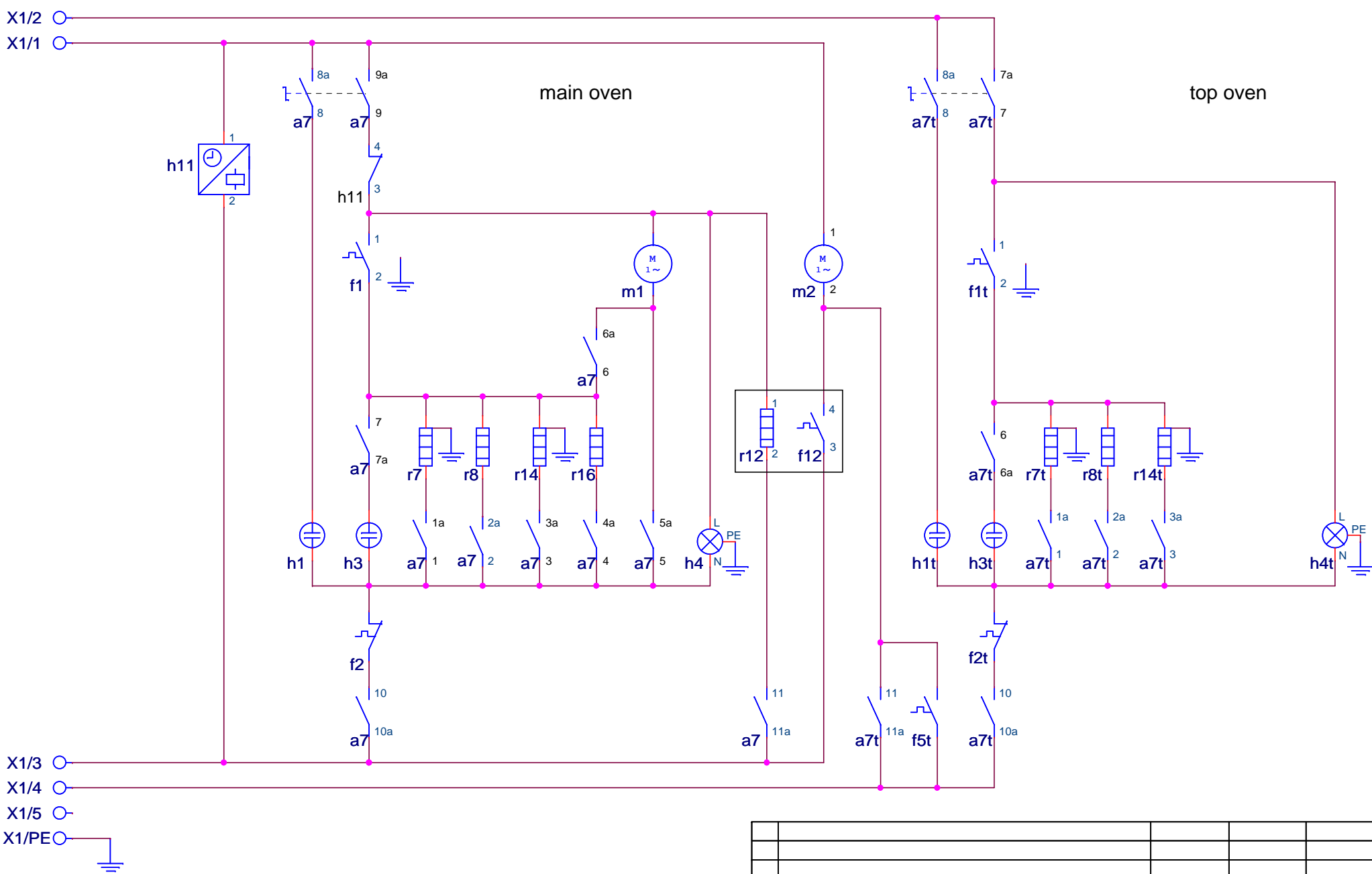
THE ITEM(S) SHOWN IN THIS DRAWING MUST NOT CONTAIN FORMALDEHYDE, CADMIUM, MERCURY, ASBESTOS OR PBB/PBDO.

THIS DRAWING CONTAINS CONFIDENTIAL INFORMATION. ITS PROPERTY OF ELECTROLUX WITHOUT WHOSE PERMISSION IT MAY NOT BE COPIED, SHOWN OR HANDED TO A THIRD PARTY OR OTHERWISE USED, AND IT IS TO BE RETURNED PROMPTLY UPON REQUEST TO ELECTROLUX WHICH IS RESPONSIBLE FOR THE DRAWING.

CRITICAL DIMENSIONS WHICH MUST BE UNDER CAPABILITY [2] SAFETY RISKS DRAFT ANGLES (NOT SHOWN): 0.000000°

GENERAL TOLERANCES ANGLES : ±° LENGTHS AND DIAMETERS: 18-50mm : ±0.1mm >50mm : ±0.2mm

A4



DESIGN		OWNER		DRN		CHD		DATE		DESIGN		USERS		EUROPEAN METHOD					
DGT		PD_HEO		Renner		Renner		2008-06-18		-		-							
Electrolux										TITLE circuit diagram oven TITEL Schaltplan Herd NUMBER 387 6583 SHEET 01(01) REV A									
A				new drawing created				Renner				DGT 58753				2008-06-18			
ZUST				MODIFICATIONS				SIGNATURE				REQUEST				DATE			