

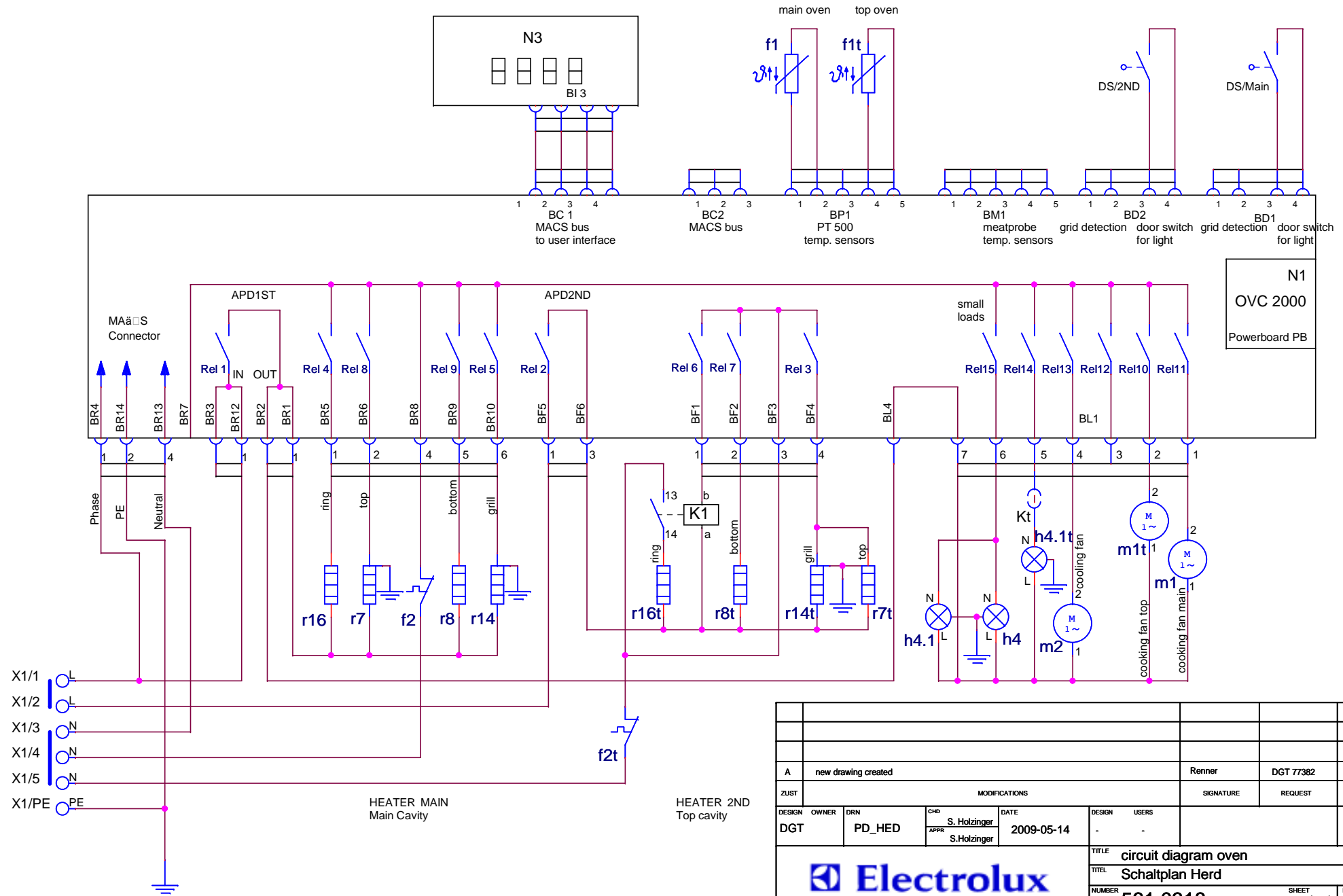
THE ITEM(S) SHOWN IN THIS DRAWING MUST NOT CONTAIN FORMALDEHYDE, CADMIUM, MERCURY, ASBESTOS OR PBB/PBBO.

THIS DRAWING CONTAINS CONFIDENTIAL INFORMATION. IT'S PROPERTY OF ELECTROLUX WITHOUT WHOSE PERMISSION IT MAY NOT BE COPIED, SHOWN OR HANDED TO A THIRD PARTY OR OTHERWISE USED, AND IT IS TO BE RETURNED PROMPTLY UPON REQUEST TO ELECTROLUX WHICH IS RESPONSIBLE FOR THE DRAWING.

CRITICAL DIMENSIONS WHICH MUST BE UNDER CAPABILITY  
**SAFETY RISKS**  
 DRAFT ANGLES (NOT SHOWN): 0.000000°

THEORETICAL FLAT AREA  
 DEVELOPED FLAT AREA

GENERAL TOLERANCES  
 ANGLES : ±°  
 LENGTHS AND DIAMETERS:  
 18-50 mm : ±°  
 >50 mm : ±°  
 A4



DESIGN		OWNER		DRN		CHD		DATE		DESIGN		USERS		EUROPEAN METHOD	
DGT		PD_HED		S.Holzinger		S.Holzinger		2009-05-14							
<b>Electrolux</b>										<b>circuit diagram oven</b> <b>Schaltplan Herd</b>					
<b>561 0318</b>										SHEET <b>01(01)</b>		REV <b>A</b>			

A	new drawing created	Renner	DGT 77382	2009-05-14	
ZUST	MODIFICATIONS		SIGNATURE	REQUEST	DATE