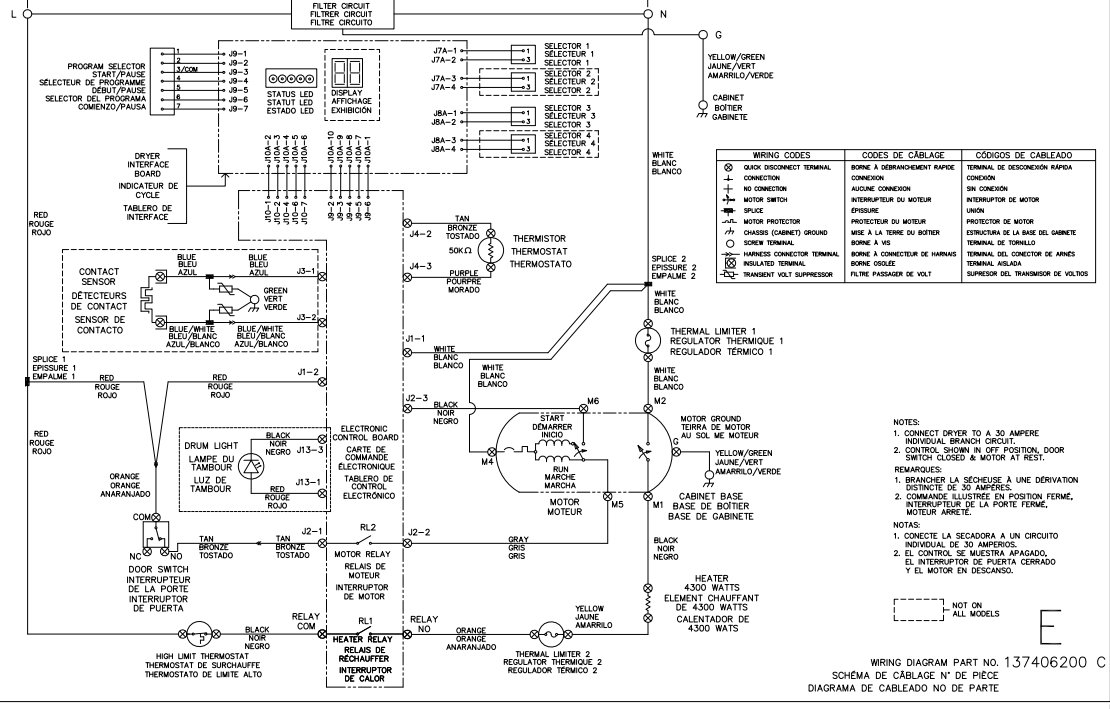


**CAUTION: DISCONNECT ELECTRIC CURRENT BEFORE SERVICING.**  
**MISE EN GARDE: METTRE HORS TENSION AVANT D'EFFECTUER TOUTE MESURE D'ENTRETIEN.**  
**PRECAUCION: DESCONECTE LA CORRIENTE ELECTRICA ANTES DE DAR SERVICIO A LA SECADORA.**

220-240 VAC 220-240 Vc.a. 220-240 VCA



THIS DRAWING SHOWS THE WIRING AND NOT THE MECHANICAL CONNECTIONS. MAJOR APPLIANCES COMPANY IS RESPONSIBLE FOR THE DRAWING.

This drawing contains confidential information and is the property of ELECTROLUX MAJOR APPLIANCES COMPANY without whose permission it shall not be reproduced, distributed, sold, copied, or used, and it is to be returned promptly upon request to ELECTROLUX MAJOR APPLIANCES COMPANY.

MAJOR Part characteristics classification (see sheet) E37

MAJOR Part characteristics classification (see sheet) E37

MAJOR Part characteristics classification (see sheet) E37

- 11 ±1/4
- WIRING DIAGRAM PART NO. 137406200 C  
 SCHEMA DE CABLAGE N° DE PIÈCE  
 DIAGRAMA DE CABLEADO NO DE PARTE

REV.	DESCRIPTION	DATE	BY	CHK
1	ISSUE	14 JUN 11	MK	OK
2	REVISION	23 AUG 11	MRN	BK

17 16 15 14 13 12 11 10 9 8 7 6 5 4 3 2 1

17 16 15 14 13 12 11 10 9 8 7 6 5 4 3 2 1