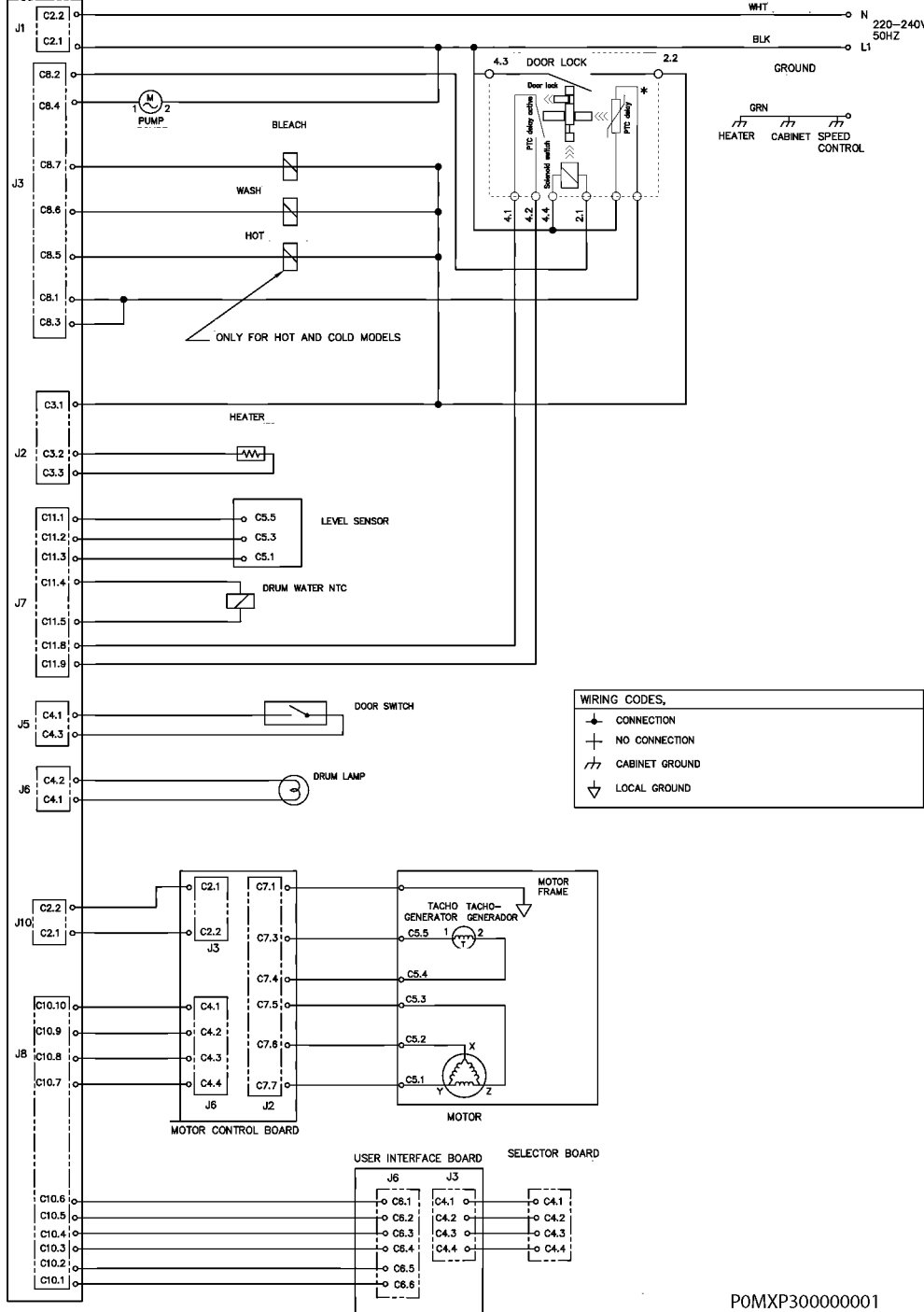


WARNING TO REDUCE THE RISK OF ELECTRICAL SHOCK DISCONNECT THIS APPLIANCE FROM THE POWER SUPPLY BEFORE ATTEMPTING ANY USER MAINTENANCE. TURNING THE CONTROLS TO THE OFF POSITION DOES NOT DISCONNECT THIS APPLIANCE FROM THE POWER SUPPLY.

MAIN CONTROL BOARD



WIRING CODES,

- ⬇ CONNECTION
- + NO CONNECTION
- ⏏ CABINET GROUND
- ⏏ LOCAL GROUND

POMXP30000001

137171400 B