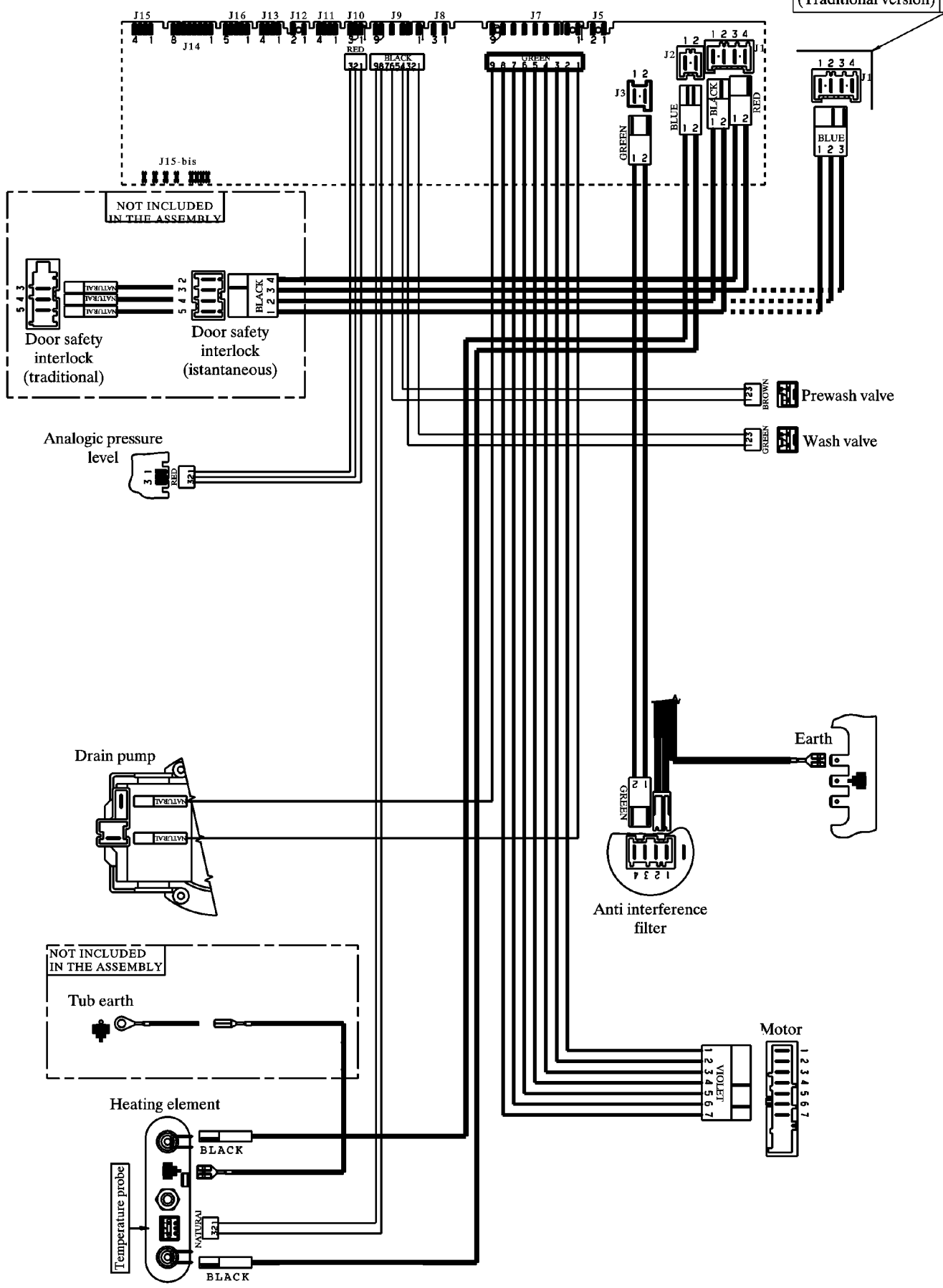


Door safety interlock (Traditional version)



NOT INCLUDED IN THE ASSEMBLY

Analogic pressure level

Drain pump

NOT INCLUDED IN THE ASSEMBLY

Tub earth

Heating element

Temperature probe

Anti interference filter

Earth

Motor

Prewash valve

Wash valve

Door safety interlock (traditional)

Door safety interlock (instantaneous)