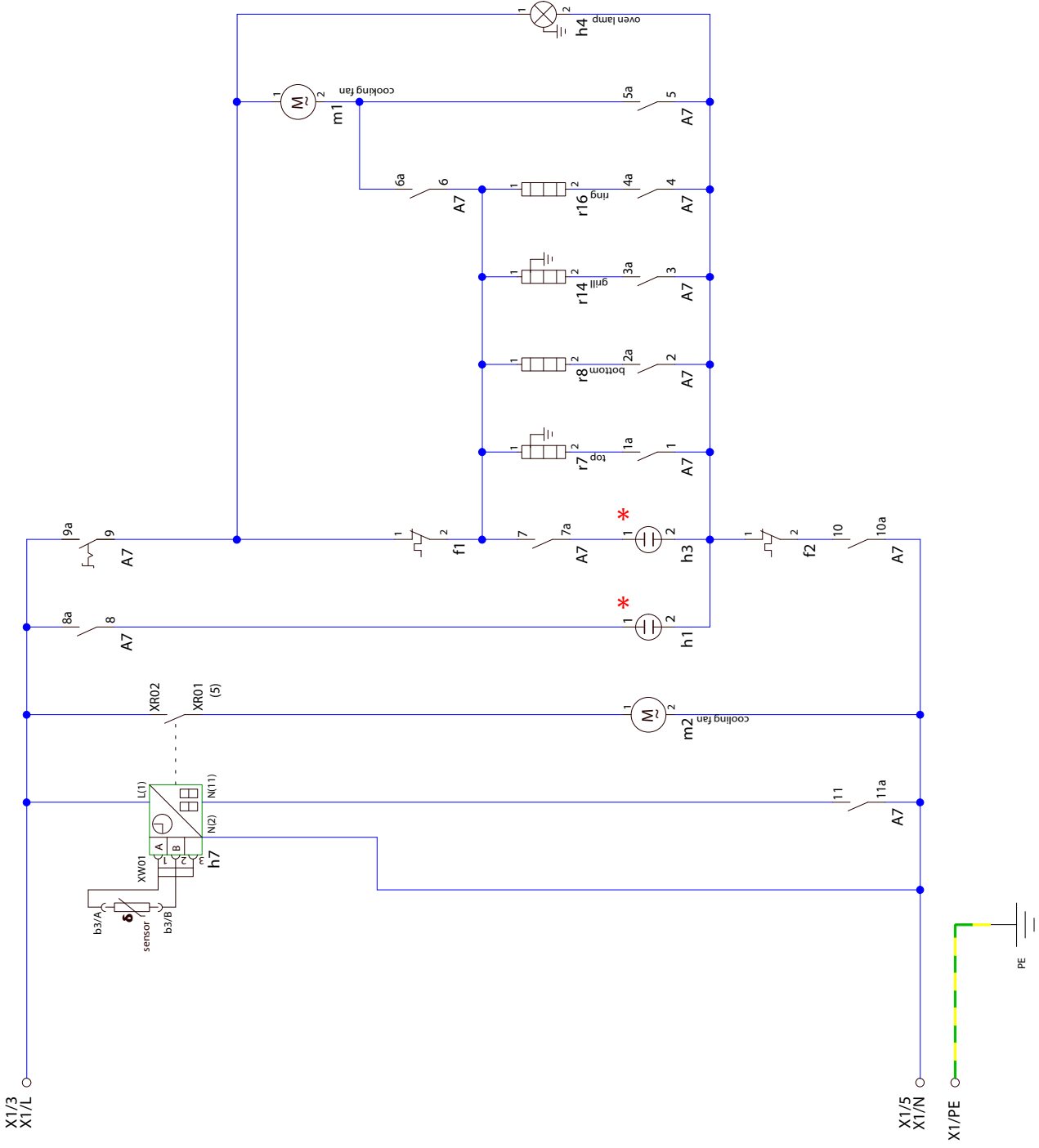
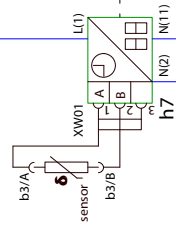


X1/3
X1/L



*optional LED-lamp

----- = optional