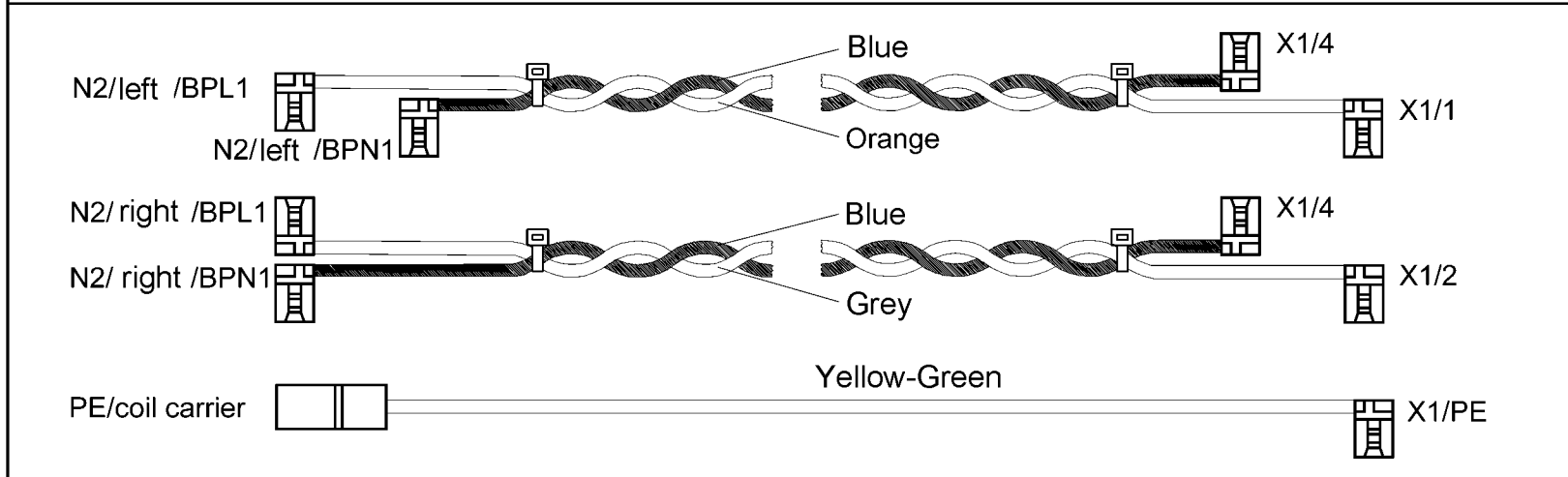
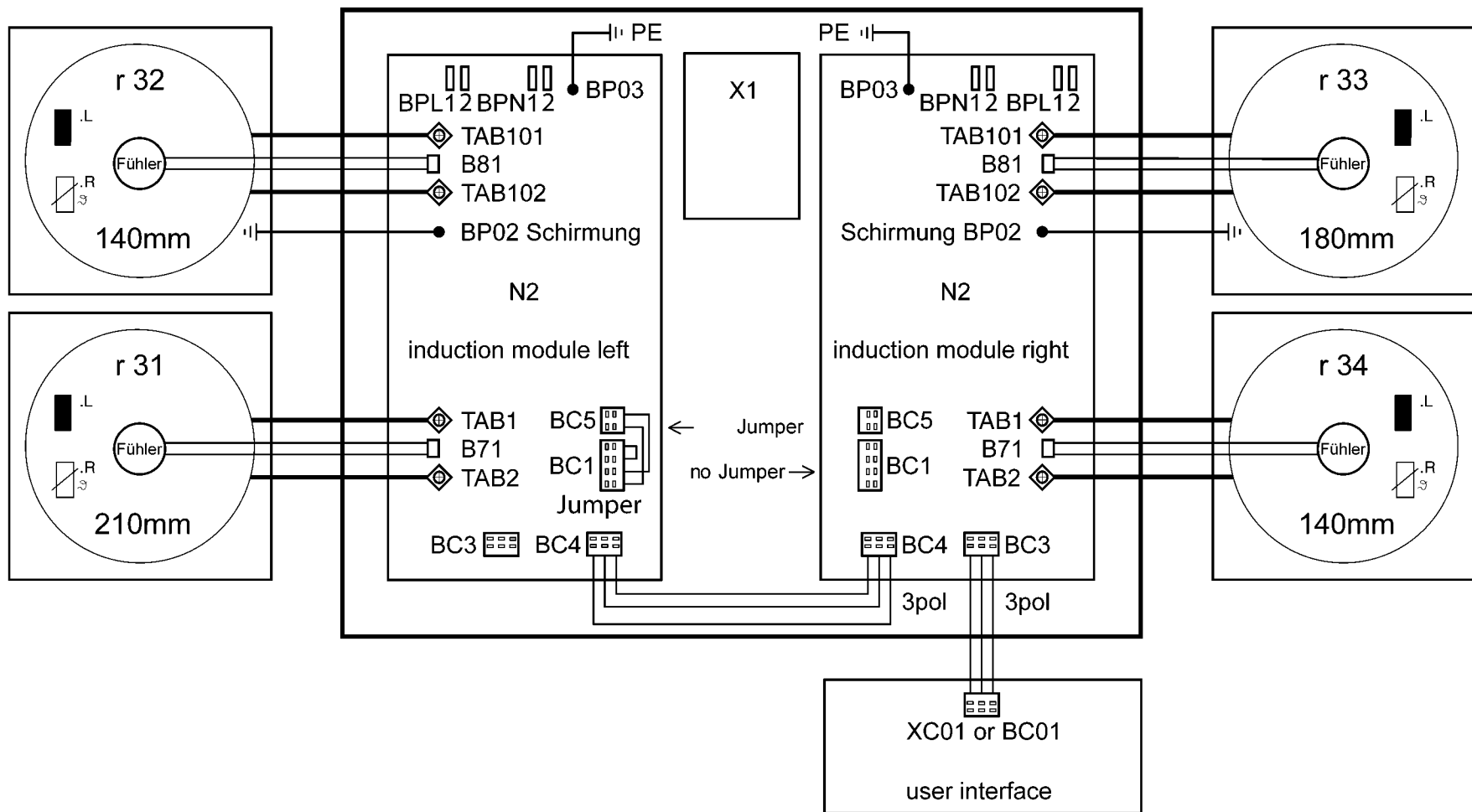


wiring mains terminal  
article number code 561 3024 00



view from top



control lines

contact	article number code
induction module left/BC4 - induction module right/BC4	387 729 902
induction module right/BC3 - user interface XC01 or BC01	387 812 100