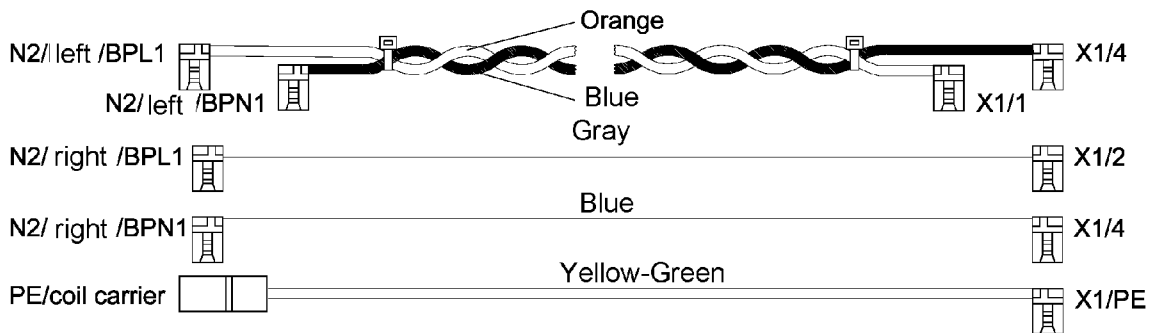
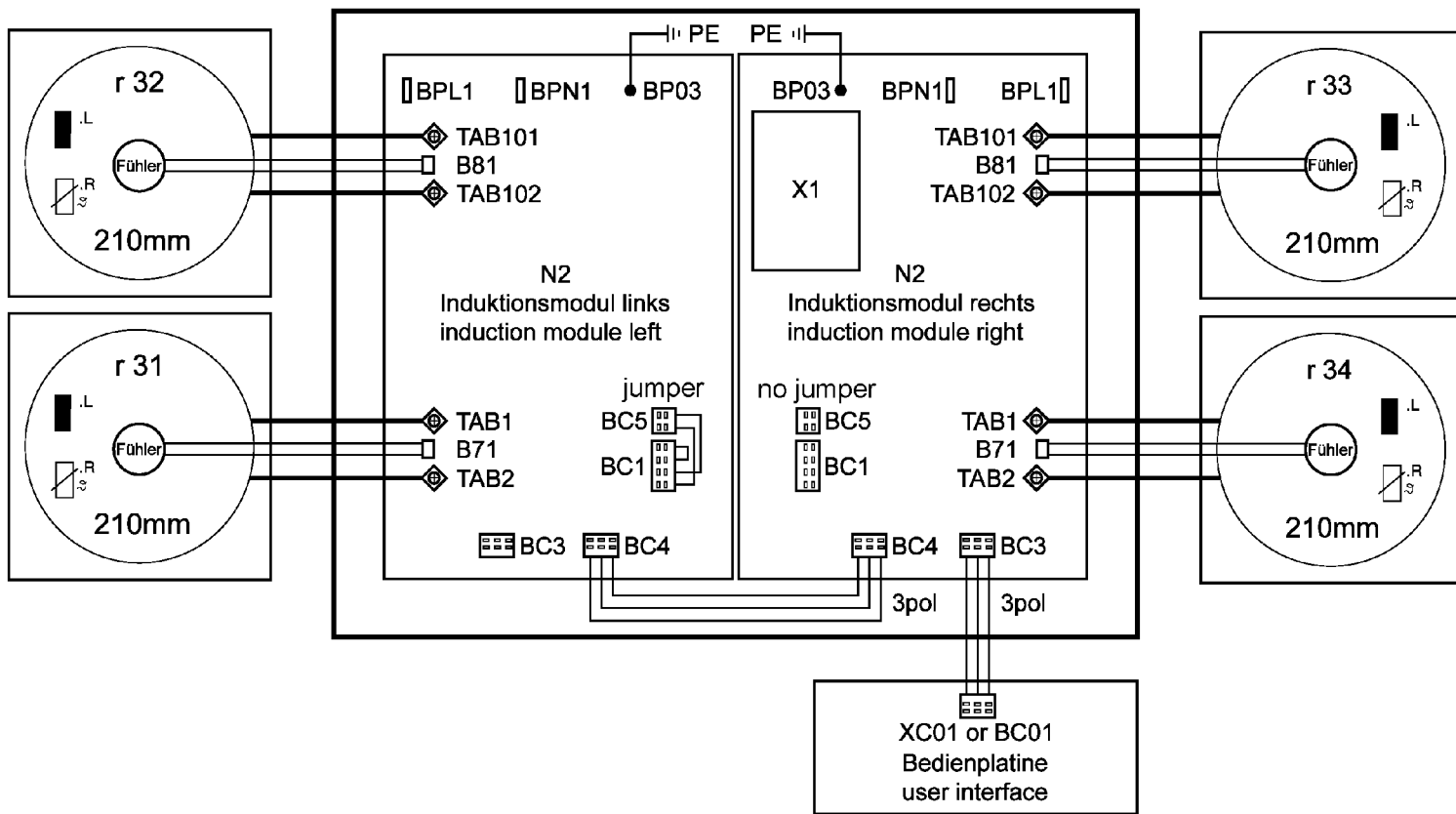


wiring mains terminal
 article number code 387 694 100



view from top



control lines

contact

article number code

induction module left/BC4 - induction module right/BC4 387 729 900
 induction module right/BC3 - user interface/XC01 or BC01 387 812 100