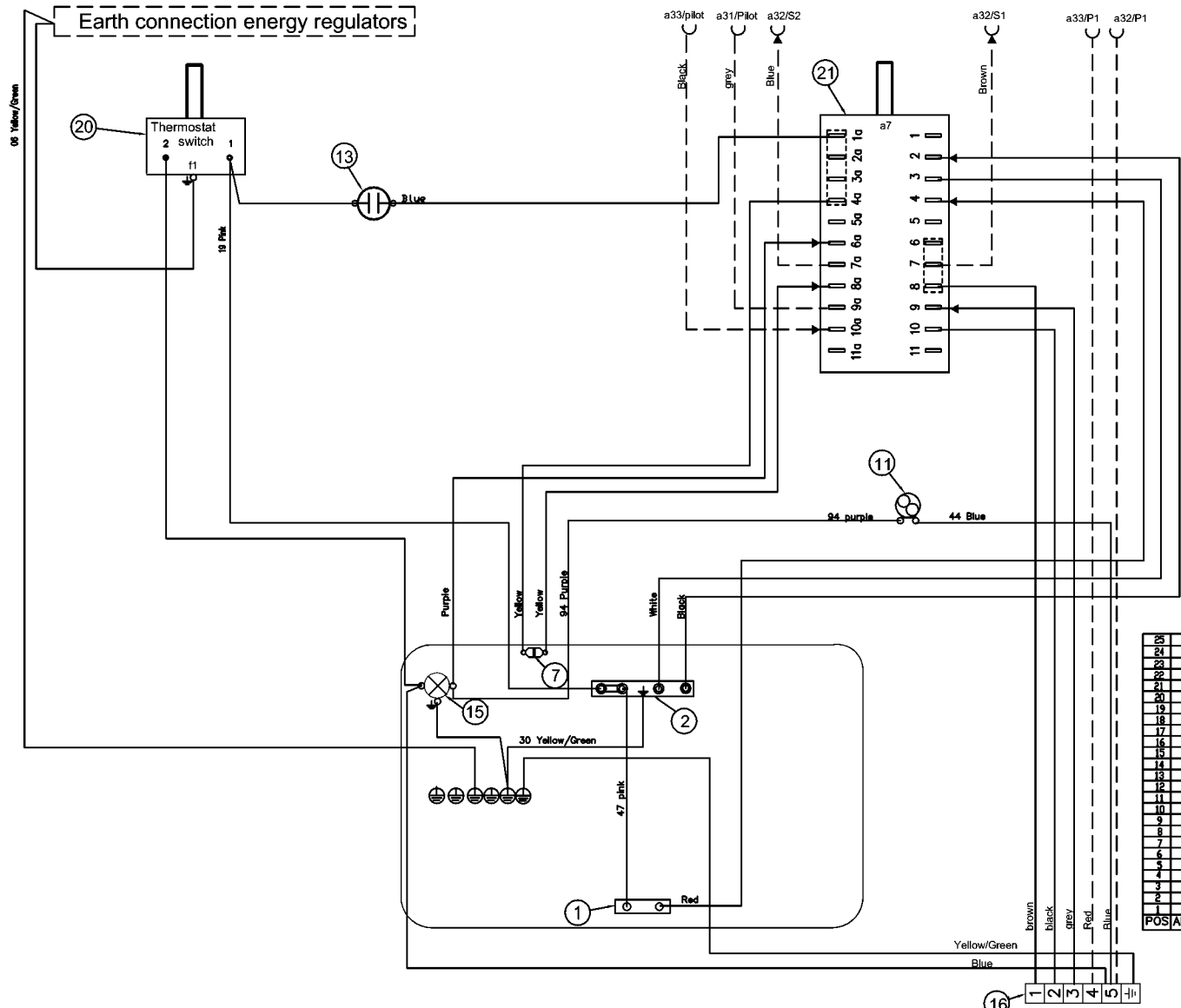
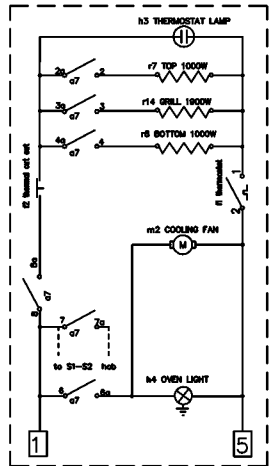


Earth connection energy regulators



25	
24	
23	
22	
21	1 Main switch/ oven function
20	1 THERMISTAT
19	
18	
17	
16	1 TERMINAL STRIP 6 PLS.SWAP
15	1 OVERLAMP TIP
14	
13	1 CONTROL LAMP
12	
11	1 COOLING FAN
10	
9	
8	
7	1 THERMAL CUT OUT
6	
5	1 THERMISTAT/CLIXON COOLING FAN 50 GR
4	
3	
2	1 HEATING/E.F. TOP
1	1 HEATING/E.F. LOWER
POS/ANT	GENSTAND

230V