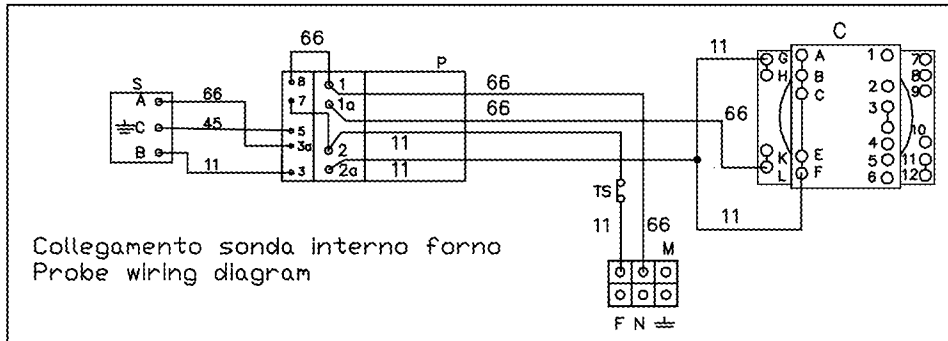


LEGENDA - KEYS:

- | | | |
|-------|---------------------------|-----------------------------|
| - C | = Conmutatore | = Selector |
| - MG | = Girarrosto | = Turnspit |
| - VT | = Ventilatore tangenziale | = Cooling fan |
| - TS | = Termostato di sicurezza | = Safety thermostat |
| - S1 | = Luce spia forno | = Oven warning light |
| - S2 | = Luce spia rete | = Mains power warning light |
| - TF | = Termostato forno | = Oven thermostat |
| - L1 | = Luce forno | = Oven lamp |
| - L2 | = Luce forno | = Oven lamp |
| - V | = Ventilatore radiale | = Fan |
| - M | = Morsetteria | = Terminal board |
| - P | = Programmatore | = Programmer |
| - S | = Sonda per cibo | = Heat probe |
| - 00 | = Nero | = Black |
| - 11 | = Marrone | = Brown |
| - 22 | = Rosso | = Red |
| - 33 | = Bianco | = White |
| - 44 | = Giallo | = Yellow |
| - 45 | = Gallo-Verde | = Yellow-Green |
| - 55 | = Grigio | = Grey |
| - 66 | = Blu | = Blue |
| - K1 | = Filo terra morsetteria | = Earth wire terminal board |
| - K2 | = res. suola | = lower resistance |
| - K3 | = motovent. radiale | = wire fan |
| - K4 | = res. circolare | = circular resistance |
| - K5 | = res. cielo | = upper resistance |
| - K6 | = luce forno 1 | = oven lamp1 |
| - K7 | = luce forno 2 | = oven lamp2 |
| - K8 | = girarrosto | = turnspit |
| - K9 | = motovent. tangen. | = cooling fan |
| - K11 | = termostato forno | = oven thermostat |
| - K12 | = programmatore | = programmer |
| - 1 | = Resist. cielo | = Upper resist. |
| - 2 | = Resist. suola | = Lower resist. |
| - 3 | = Resist. grill | = Grill resist. |
| - 4 | = Resist. circolare | = Circular resist. |
| - N | = Neutro | = Neutral |
| - F | = Fase | = Phase |



Collegamento sonda interno forno
Probe wiring diagram

AEG 5209 B-M