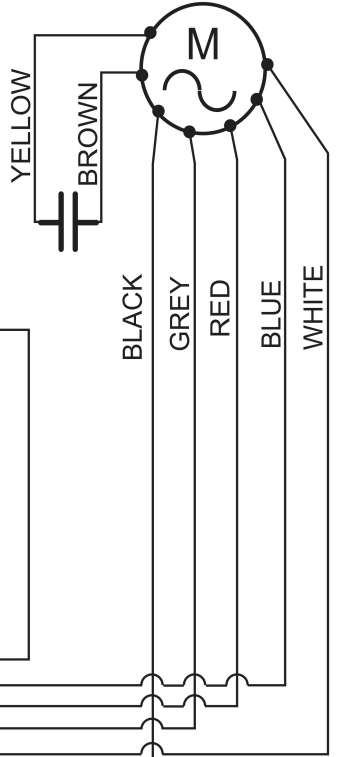
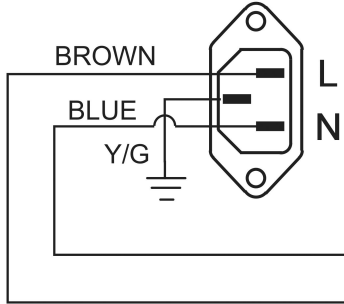
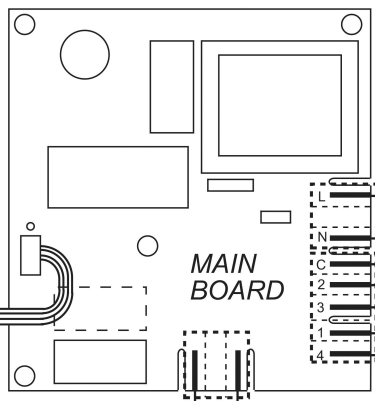


R.F.I.  
FILTER

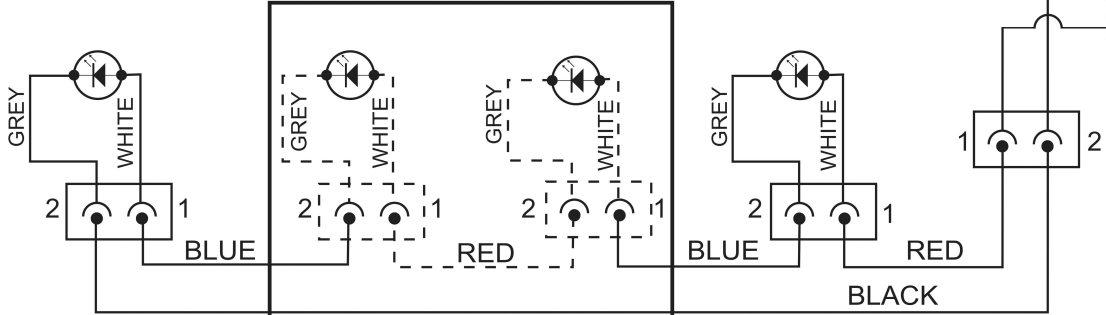
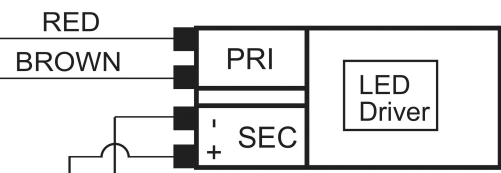
# SEL0096591



BLUE  
BROWN



USER  
INTERFACE



**ATTENTION!:**  
ADDITIONAL LAMPS ONLY  
PRESENT ON THE VERSIONS  
WITH 4 LAMPS