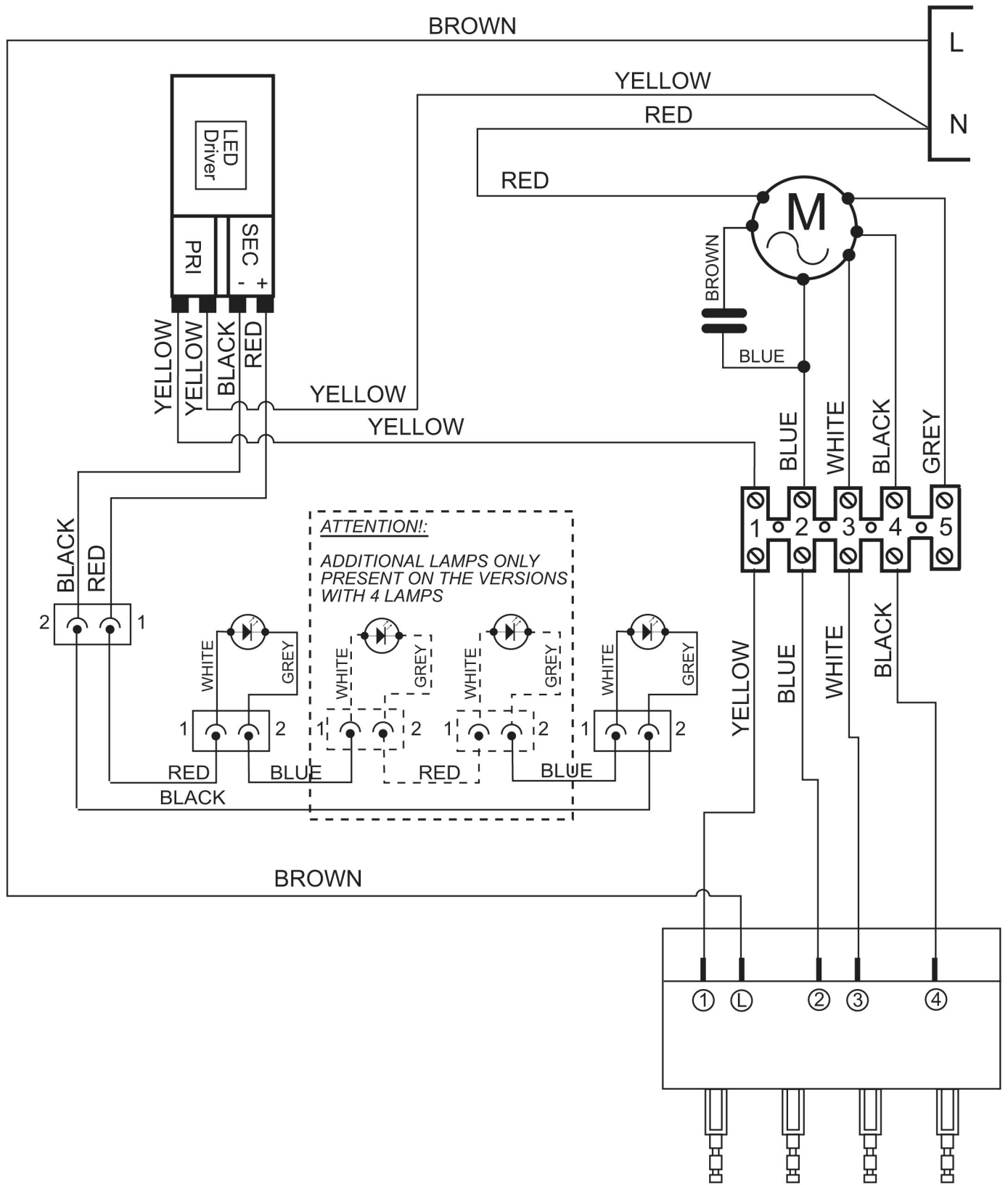


BROWN



BROWN

① L ② ③ ④