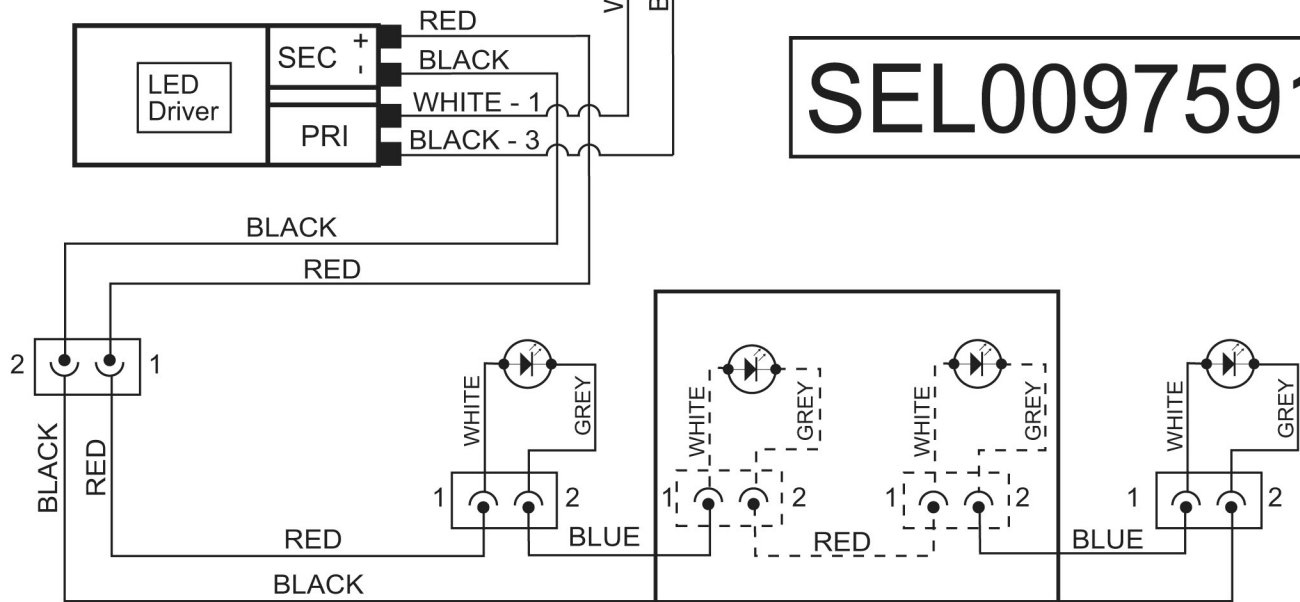


SEL0097591



ATTENTION!:
 ADDITIONAL LAMPS ONLY
 PRESENT ON THE VERSIONS
 WITH 4 LAMPS