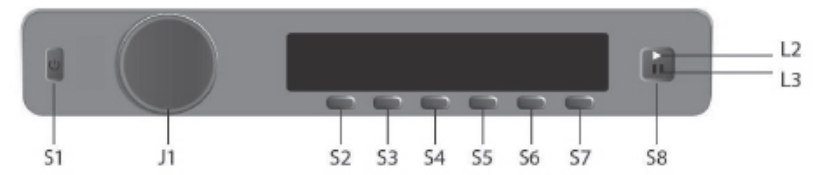


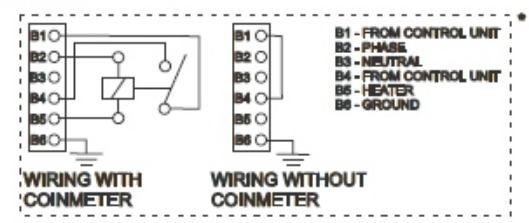
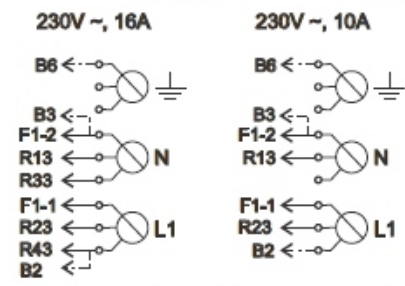
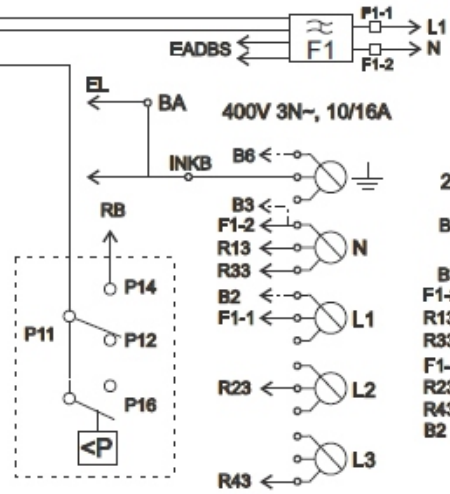
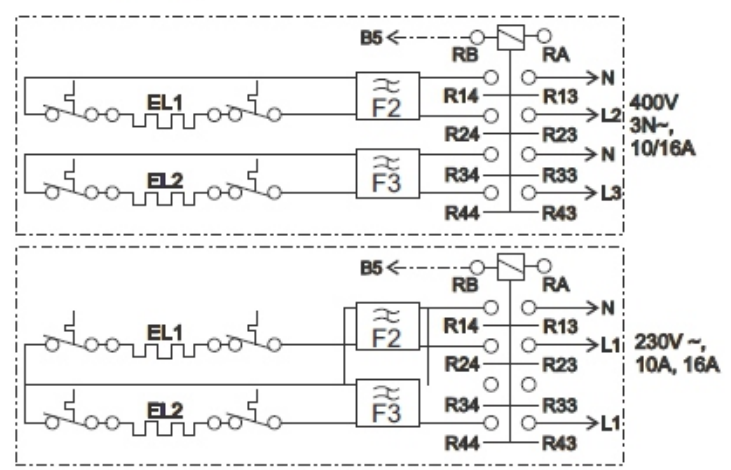
——— WIRES IN ALL MACHINES  
 - - - WIRES IN SOME MACHINES  
 - - - INTERNAL CONNECTION  
 \* CONNECTED IN SOME MACHINES

- F: RADIO INTERFERENCE FILTER
- EL: HEATING ELEMENT
- AP: DRAIN PUMP 50/60 Hz
- AV: DRAIN VALVE
- NTC: THERMISTOR
- IV 1: INLET VALVE 1
- IV 2: INLET VALVE 2
- IV 3: INLET VALVE 3 (HOT)
- MO: MOTOR
- NS: PRESSURE SENSOR
- INKB: INCOMING GROUND
- UI: USER INTERFACE BOARD
- LL 2: DOOR LOCK EMZ
- PMCU: PROGRAMMABLE MOTOR CONTROL UNIT
- BA: CONTAINER
- 3D: WASH TUB MOVEMENT DETECTION SENSOR
- EADBS: EXTERNAL AUTODOSING BOOKING SYSTEM
- P: PRESSURE SWITCH



**SERVICE MENU:**  
 TURN OFF POWER (S1)  
 WAIT FOR AT LEAST 5 SEC  
 HOLD S6 AND S7 THEN TURN POWER ON (S1)  
 HOLD S6 AND S7 FOR ANOTHER 5 SEC WHEN POWER IS ON

HEATERS	CONNECTION
7000W (3500 + 3500)	3 PHASE 16A
4400W (2200 + 2200)	3 PHASE 10A
3000W (2000 + 1000)	3 PHASE 10A
3000W (2000 + 1000)	1 PHASE 16A
2000W	1 PHASE 10A



- B1 - FROM CONTROL UNIT
- B2 - PHASE
- B3 - NEUTRAL
- B4 - FROM CONTROL UNIT
- B5 - HEATER
- B6 - GROUND