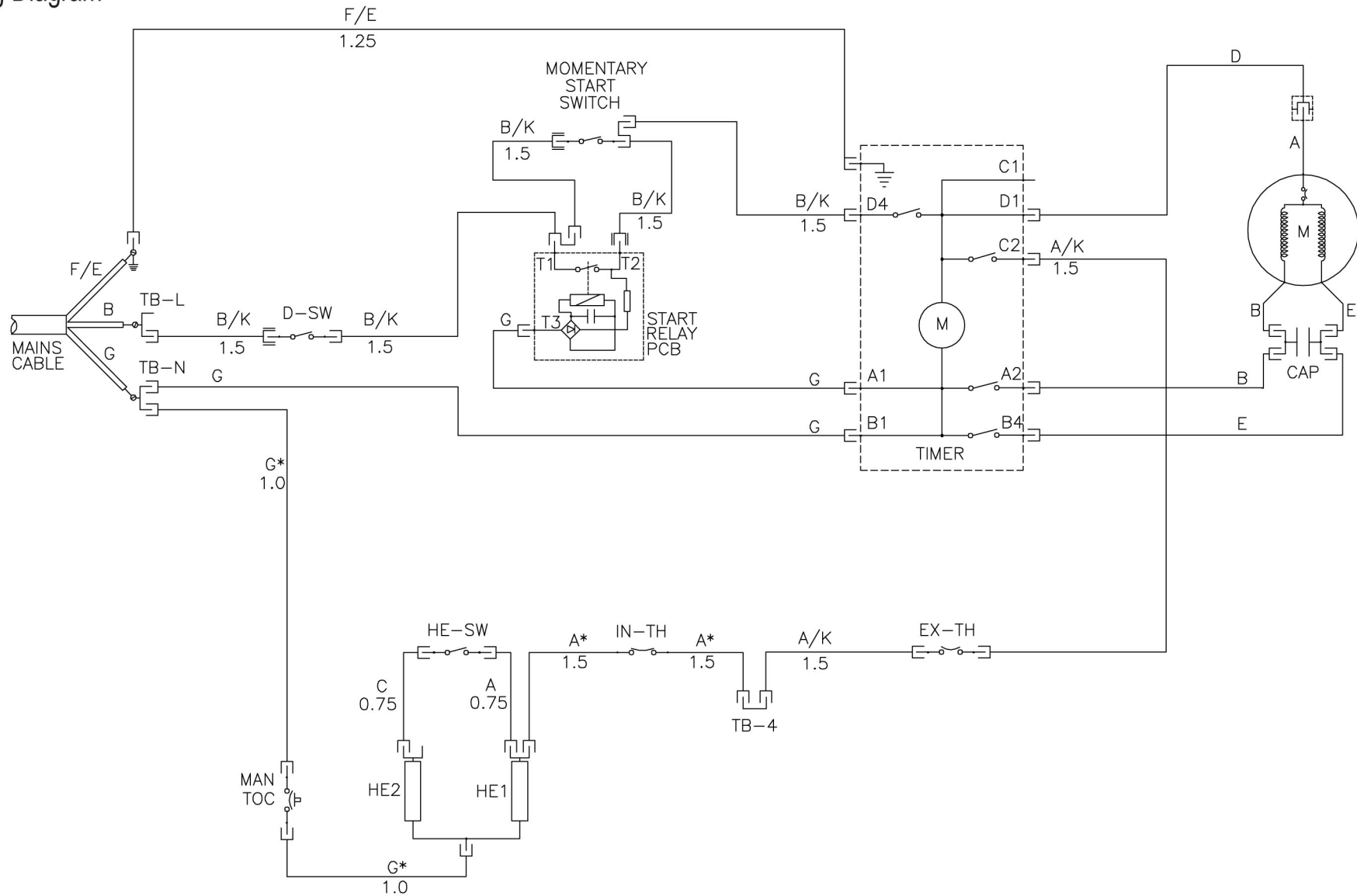


Wiring Diagram



NOTES

1. ALL INTERNAL WIRING TO BE 0.5MM SQUARED, MULTI-STRAND, PVC INSULATED COPPER WIRE, UNLESS INDICATED OTHERWISE
2. WIRES MARKED THUS * TO BE SILICONE RUBBER INSULATED.

WIRE COLOUR CODE

A - BLACK
 B - BROWN
 C - RED
 D - ORANGE
 E - YELLOW
 F - GREEN
 G - BLUE
 H - VIOLET
 K - WHITE
 N/A - PINK

COMPONENT CODE

TB - TERMINAL BLOCK
 D-SW - DOOR SWITCH
 M - MOTOR
 EX-TH - EXHAUST THERMOSTAT
 IN-TH - INLET THERMOSTAT
 HE - HEATER
 HE-SW - HEAT SWITCH
 MAN TOC - MANUAL RESET HEATER CUT-OUT
 CAP - CAPACITOR