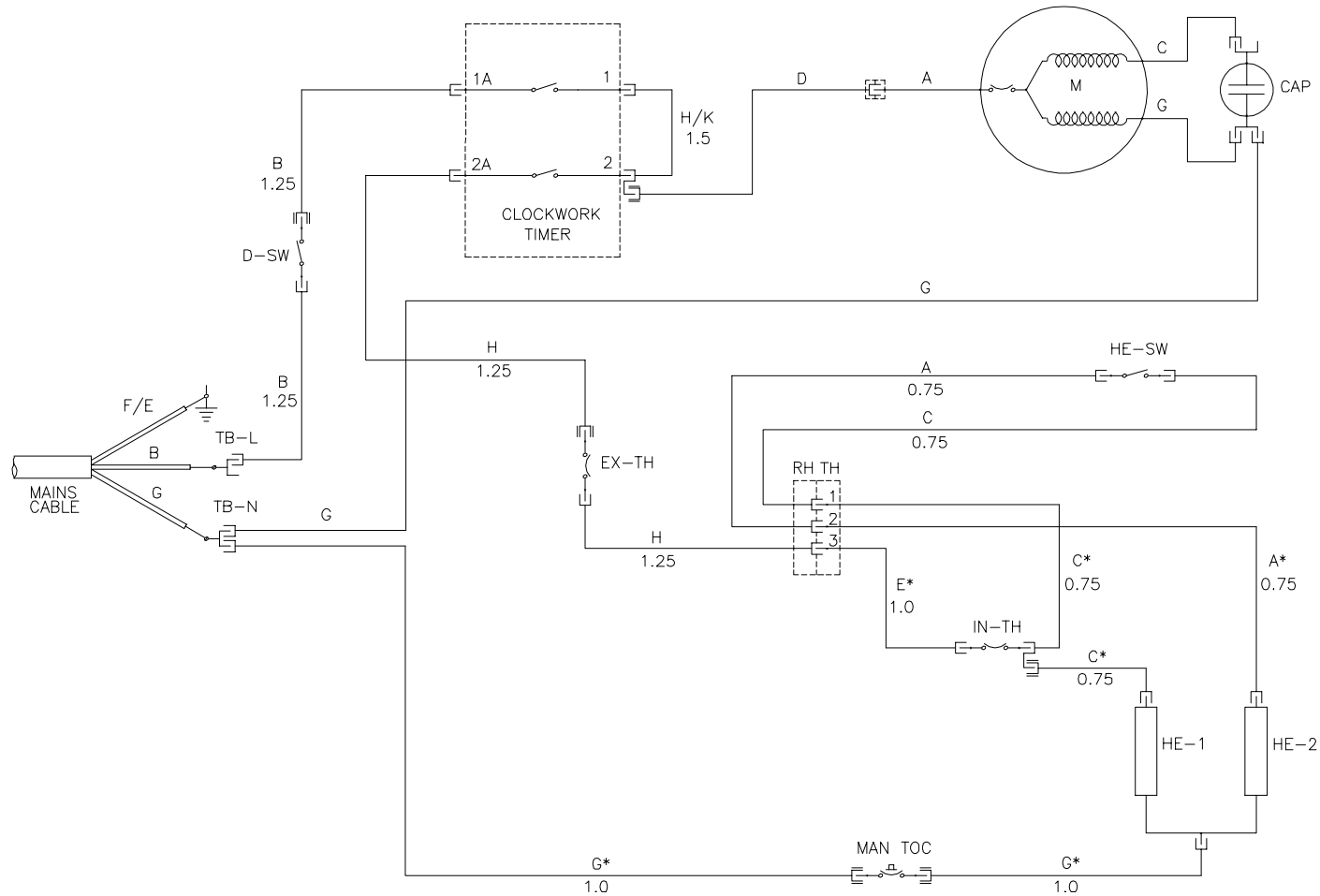


Wiring Diagram



WIRE COLOUR CODE

- A - BLACK
- B - BROWN
- C - RED
- D - ORANGE
- E - YELLOW
- F - GREEN
- G - BLUE
- H - VIOLET
- K - WHITE

COMPONENT CODE

- TB - TERMINAL BLOCK
- EX-TH - EXHAUST THERMOSTAT
- MAN TOC - MANUAL RESET CUT-OUT
- M - MOTOR
- HE - HEATER
- HE-SW - HEAT SWITCH
- CAP - CAPACITOR
- D-SW - DOOR SWITCH
- IN-TH - INLET THERMOSTAT
- TH - TAB HOUSING
- RH - RECEPTACLE HOUSING

ALL WIRES TO BE 0.5mm² PVC INSULATED MULTI-STRAND COPPER WIRE UNLESS OTHERWISE STATED.

WIRES MARKED THUS * TO BE SINGLE STRAND SILICONE INSULATED TINNED COPPER WIRE.