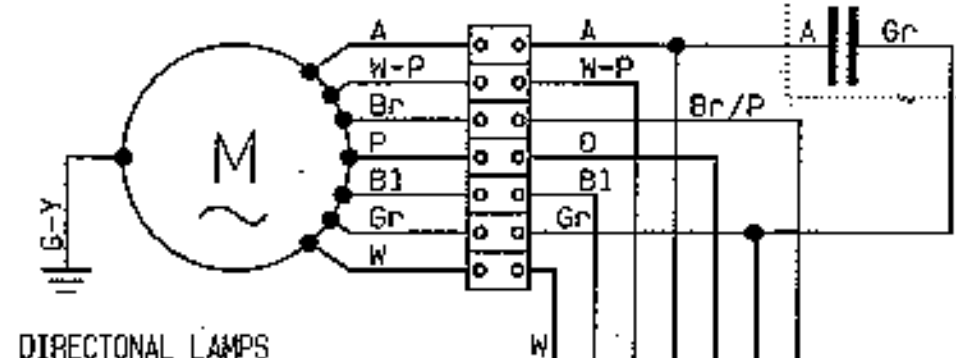
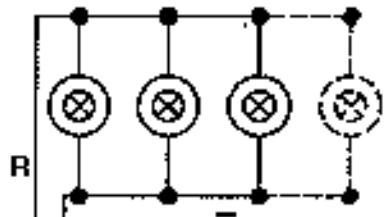


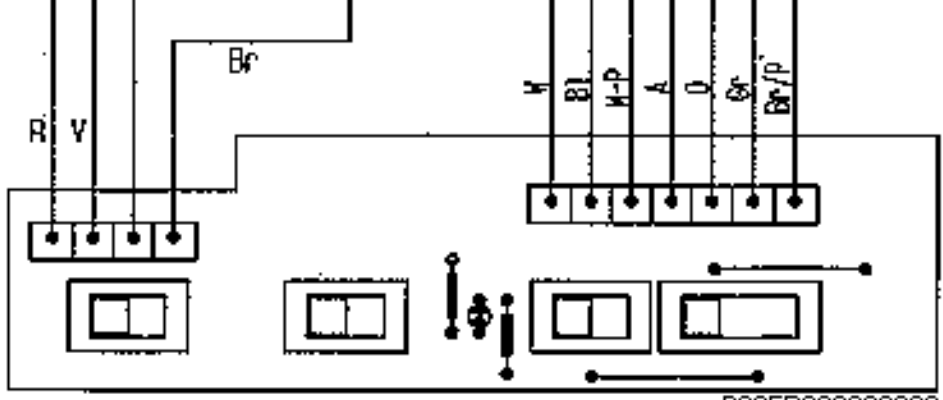
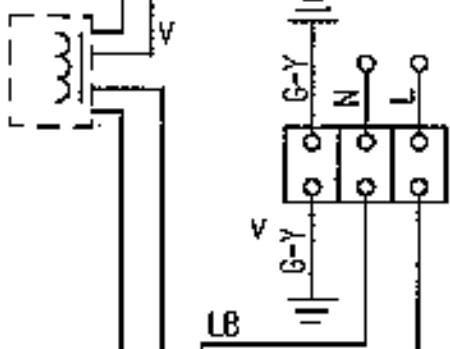
5 μ F (Mot. 8/50)
 3. 15 μ F (Mot. 8/28)
 400V



DIRECTIONAL LAMPS



AUTOTRANSFORMER



1 2 3

P09FB30000000