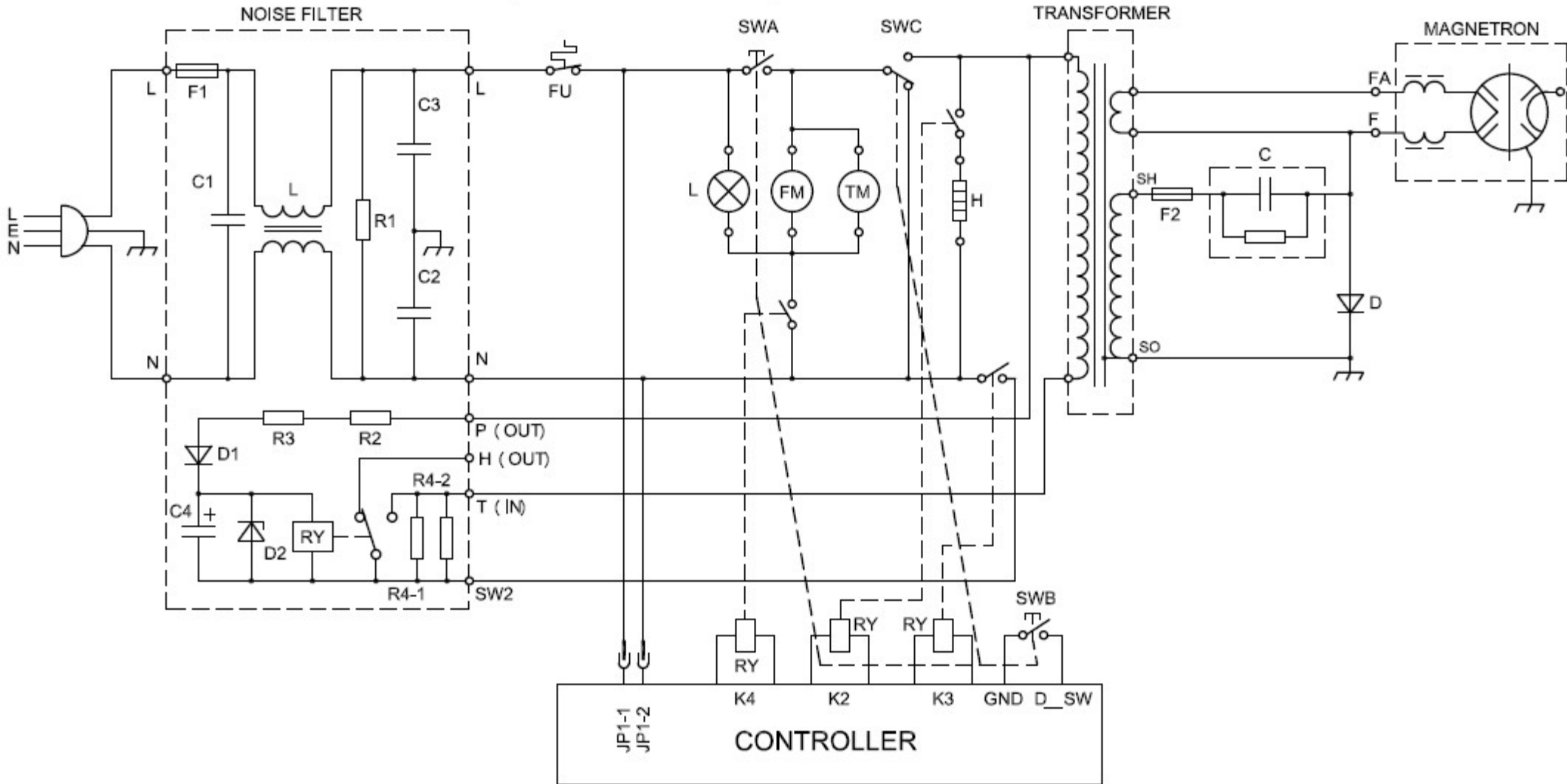


SCHEMATIC DIAGRAM

(DOOR OPENED, COOK OFF CONDITION)



SWA: PRIMARY INTERLOCK SWITCH
SWB: SECONDARY INTERLOCK SWITCH
SWC: THE MONITOR INTERLOCK SWITCH

L: LAMP
FM: FAN MOTOR
TM: TURNTABLE MOTOR
H: HEATER

***CIRCUIT SUBJECT TO CHANGE WITHOUT NOTICE**