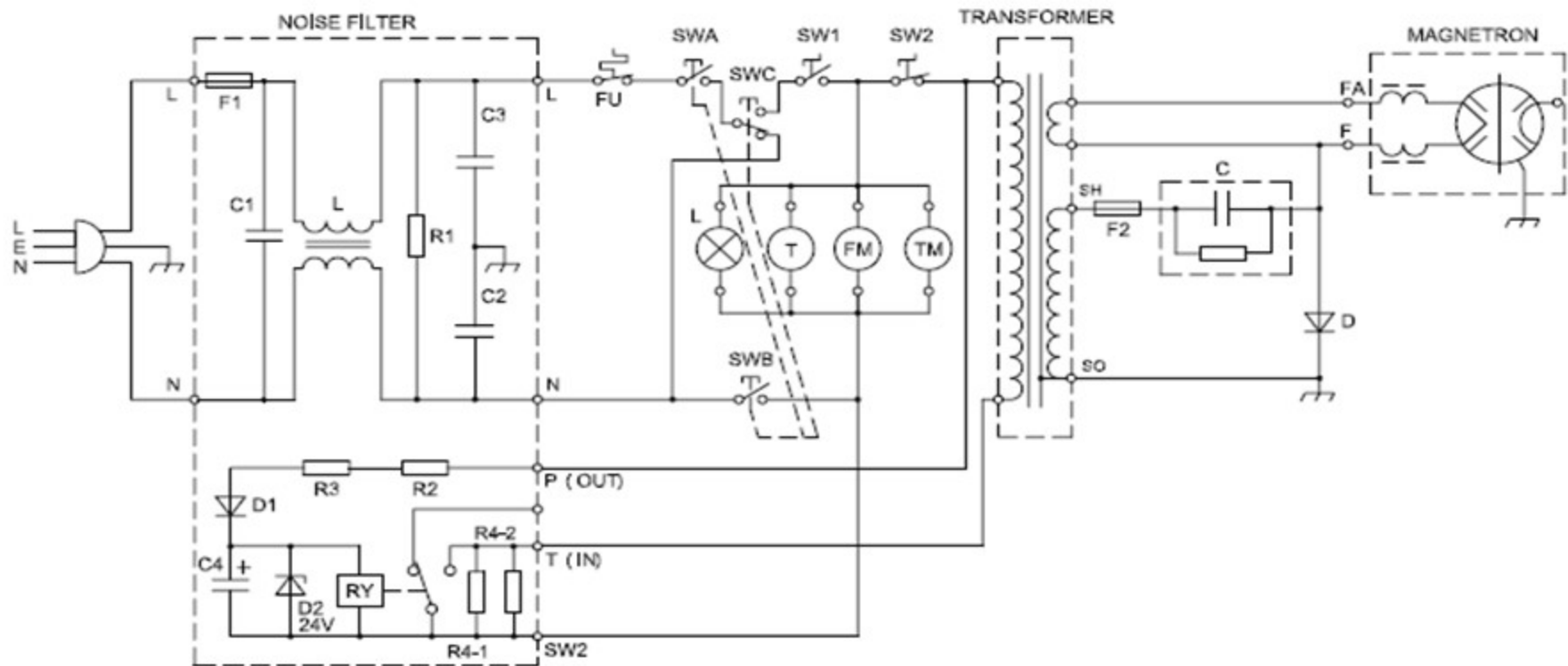


(DOOR OPENED,COOK OFF CONDITION)



SW1: TIME CONTROL SWITCH
SW2: POWER CONTROL SWITCH
SWA: PRIMARY INTERLOCK SWITCH
SWB: SECONDARY INTERLOCK SWITCH
SWC: THE MONITOR INTERLOCK SWITCH

L: LAMP
T: TIMER MOTOR
FM: FAN MOTOR
TM: TURNTABLE MOTOR