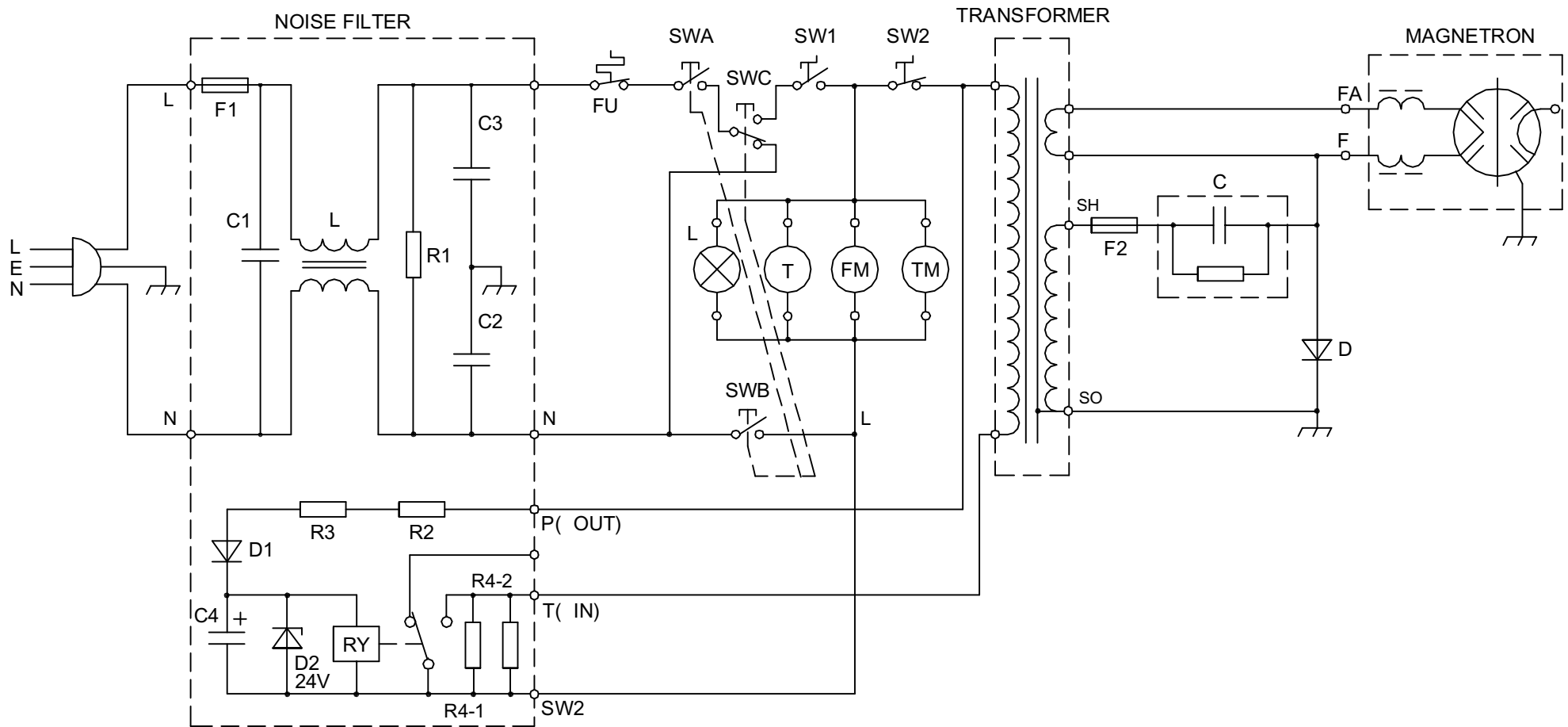


SCHEMATIC DIAGRAM
(DOOR OPENED,COOK OFF CONDITION)



SW1: TIME CONTROL SWITCH
 SW2: POWER CONTROL SWITCH
 SWA: PRIMARY INTERLOCK SWITCH
 SWB: SECONDARY INTERLOCK SWITCH
 SWC: THE MONITOR INTERLOCK SWITCH

L: LAMP
 T: TIMER MOTOR
 FM: FAN MOTOR
 TM: TURNTABLE MOTOR

*CIRCUIT SUBJECT TO CHANGE WITHOUT NOTICE

JENS_009 (947602730)

91052-001