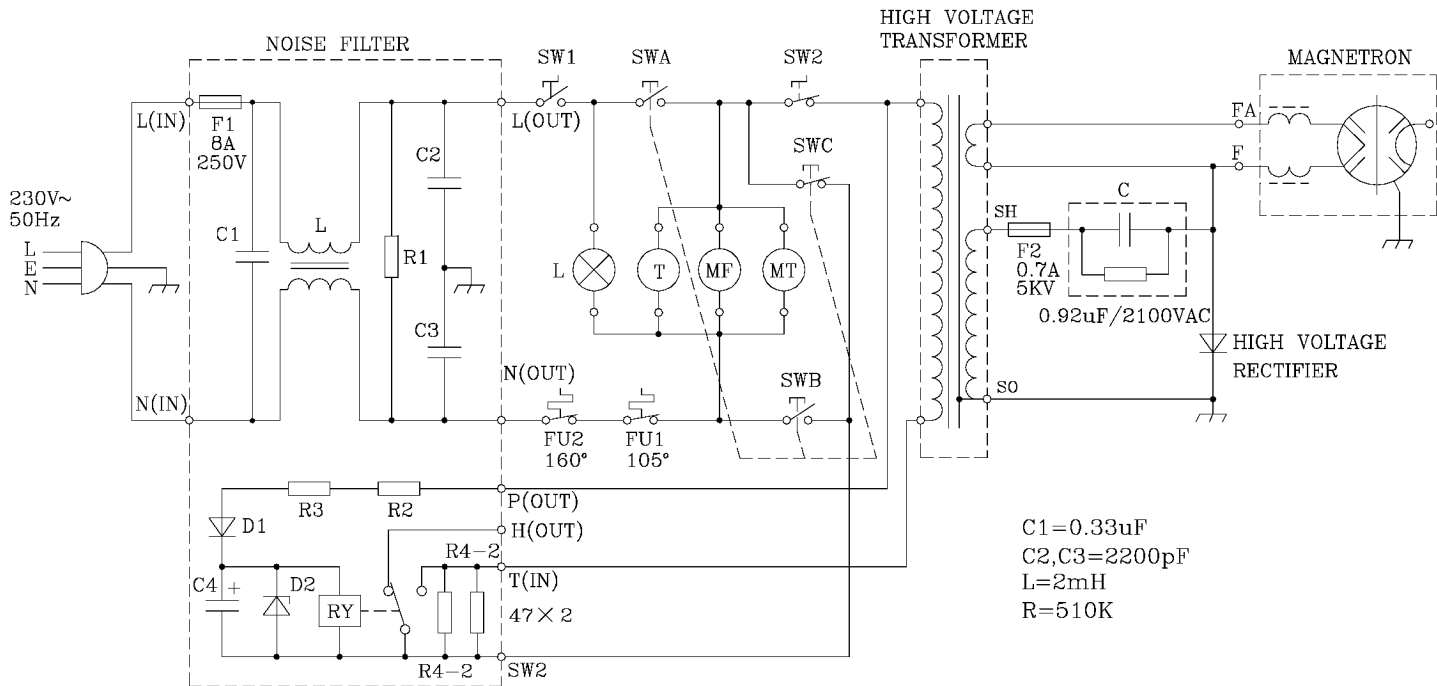


# SCHEMATIC DIAGRAM

TYPE: ZM17M



NOTE:OVEN DOOR IN OPEN STATE