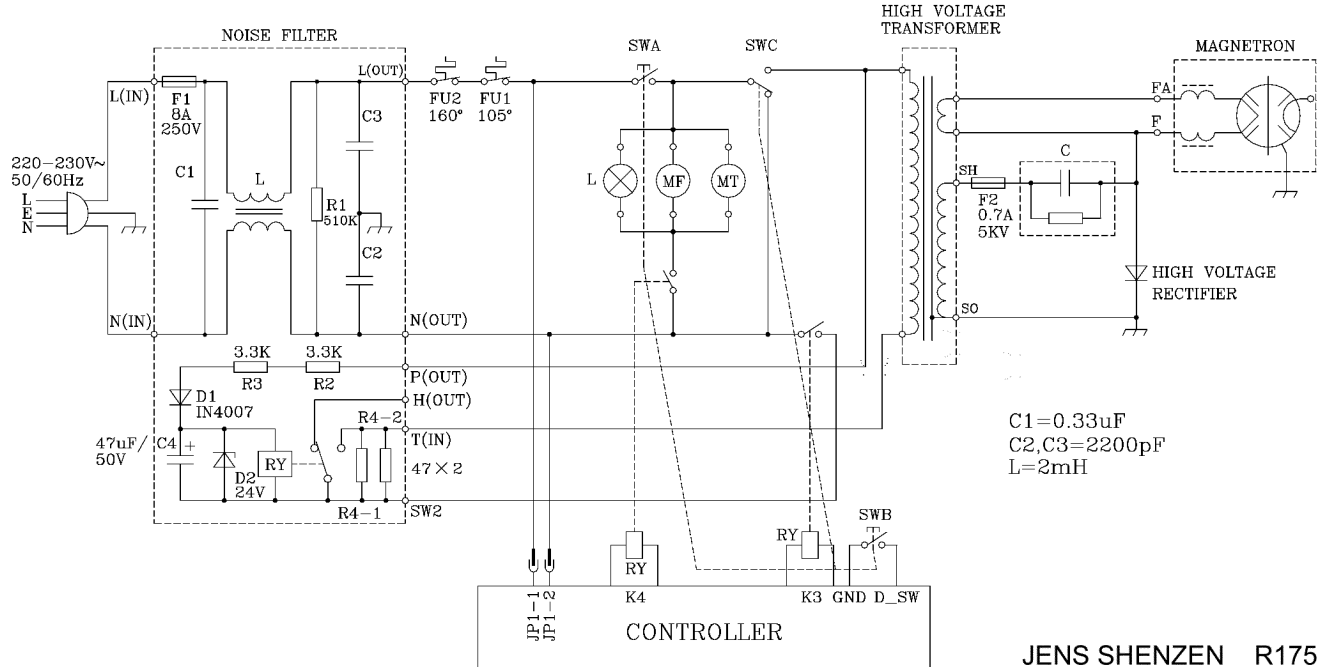


SCHEMATIC DIAGRAM



JENS SHENZEN R175