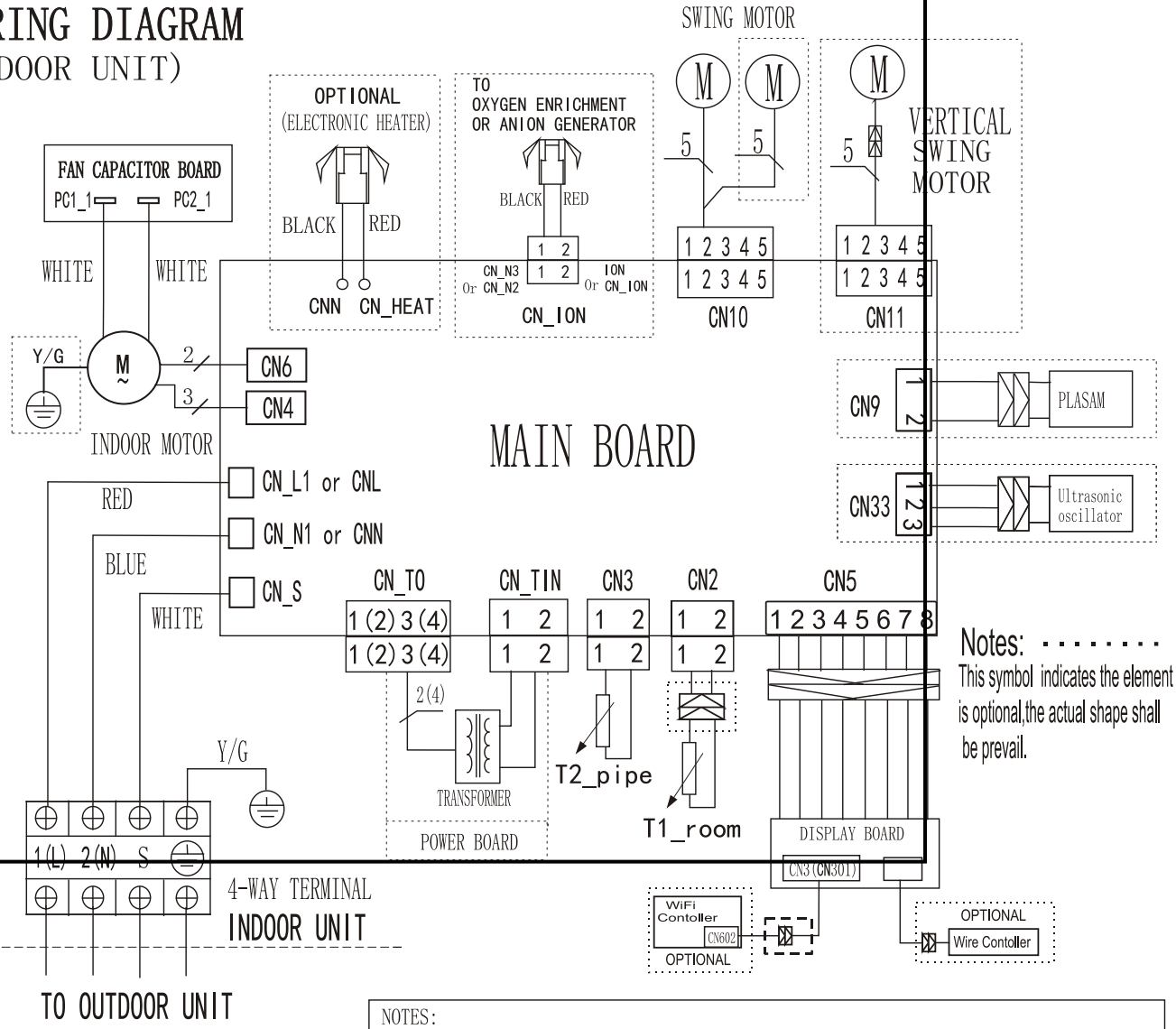


WIRING DIAGRAM (INDOOR UNIT)



NOTES:
 1. The Color Of Power Supply Cord(L, N, E) Measures Up To The IEC Standards (BROWN, BLUE, Y/G) Or The UL Standards (BLACK, WHITE, GREEN) ;
 2. The Functions In The Rectangle Are Available For Particular Air-condition;

Notes:
 This symbol indicates the element is optional, the actual shape shall be prevail.