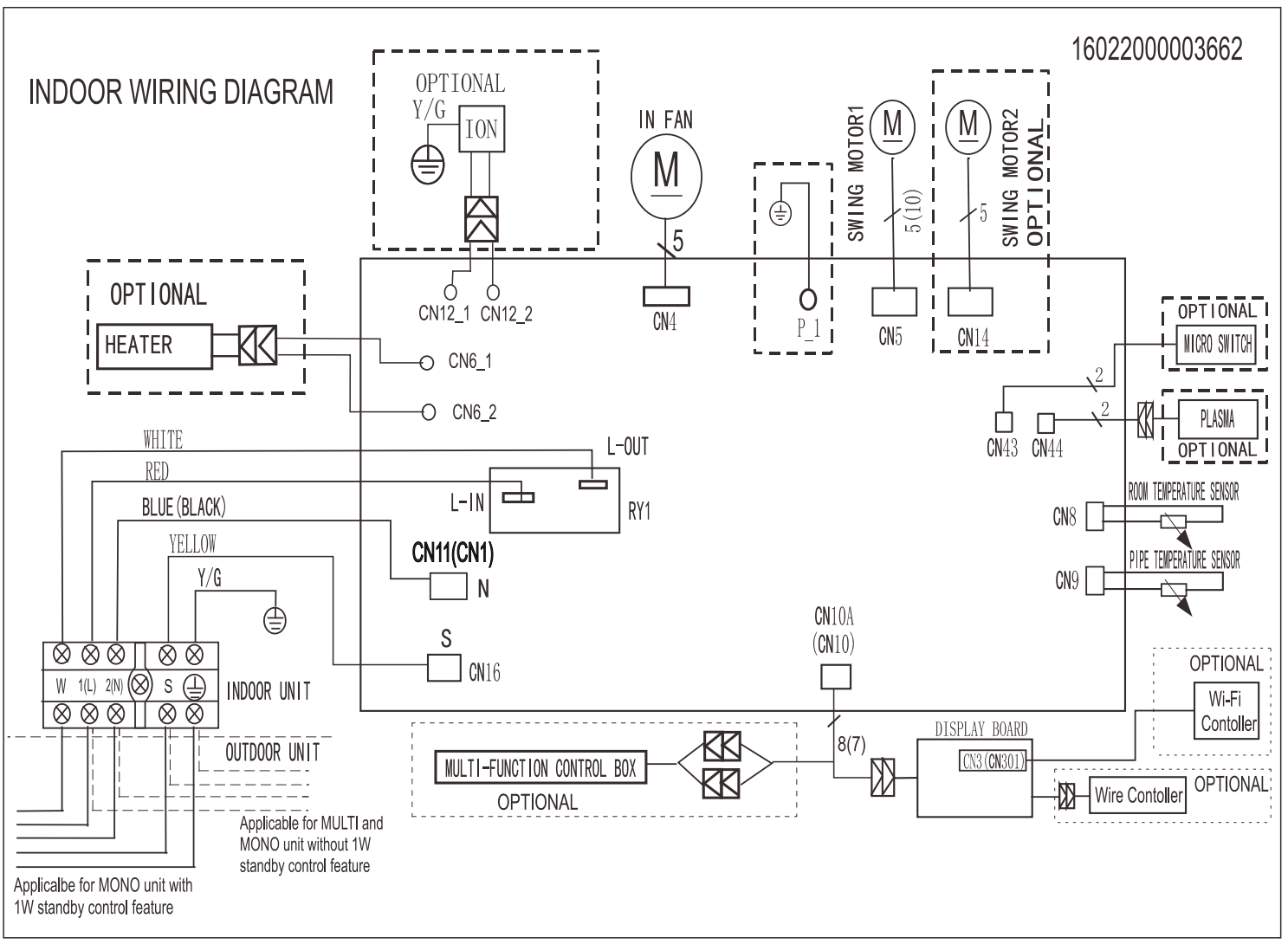


INDOOR WIRING DIAGRAM



Applicable for MONO unit with 1W standby control feature

Applicable for MULTI and MONO unit without 1W standby control feature