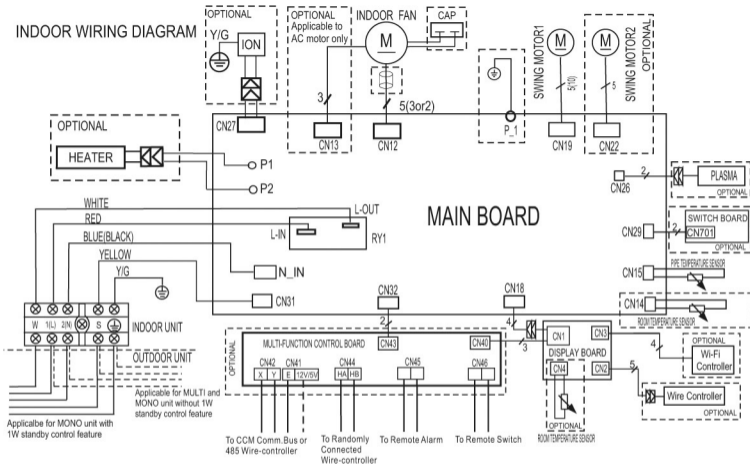


INDOOR WIRING DIAGRAM



FOR SETTING NETADDRESS (CCM Comm. Bus)

ENC3+F1 (MULTI-FUNCTION CONTROL BOARD)				
CODE	0~F	0~F	0~F	0~F
NETADDRESS	0~15	16~31	32~47	48~63
FACTORY SETTING	✓			

---- This symbol indicates the element is optional, the actual shape shall prevail.