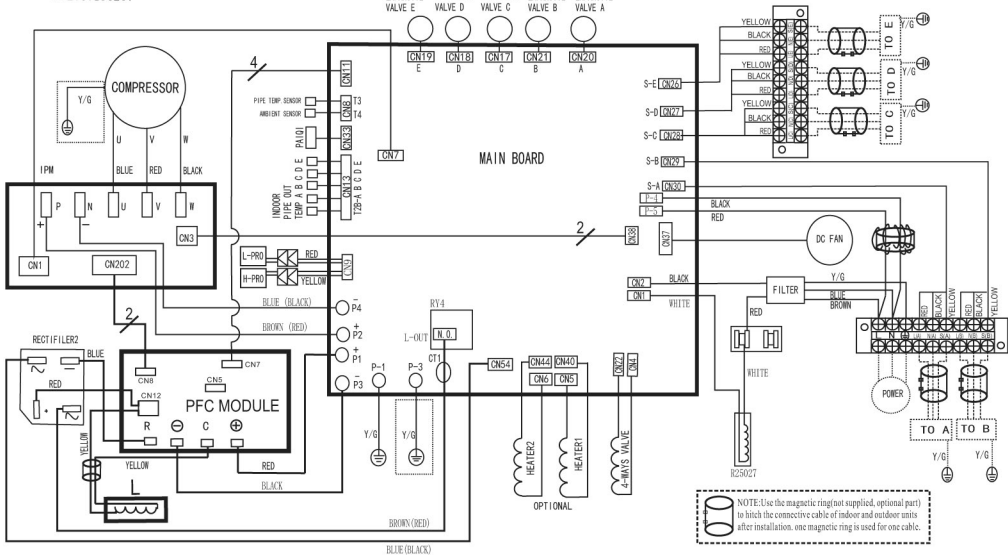


ELECTRONIC EXPANSIVE VALVE E
 ELECTRONIC EXPANSIVE VALVE D
 ELECTRONIC EXPANSIVE VALVE C
 ELECTRONIC EXPANSIVE VALVE B
 ELECTRONIC EXPANSIVE VALVE A



BLUE (BLACK)
 BROWN (RED)