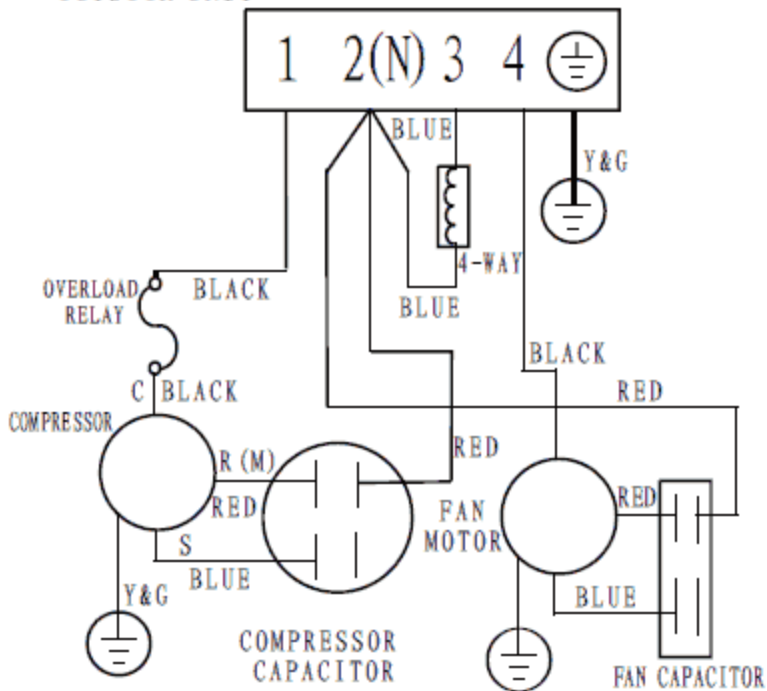


INDOOR UNIT
OUTDOOR UNIT



P07VM300000001