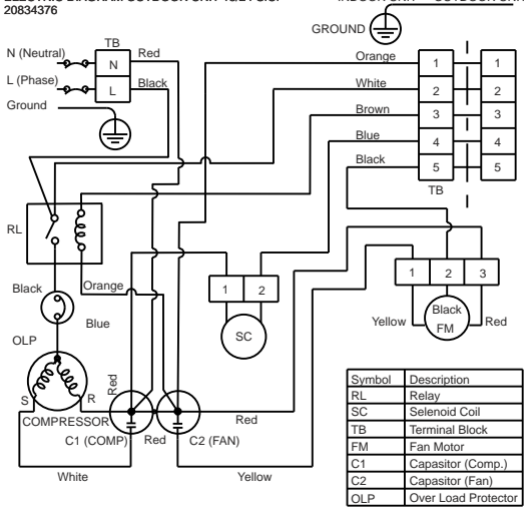


ELECTRIC DIAGRAM OUTDOOR UNIT 18/24 S.C.
20834376

INDOOR UNIT OUTDOOR UNIT



Symbol	Description
RL	Relay
SC	Selenoid Coil
TB	Terminal Block
FM	Fan Motor
C1	Capasitor (Comp.)
C2	Capasitor (Fan)
OLP	Over Load Protector