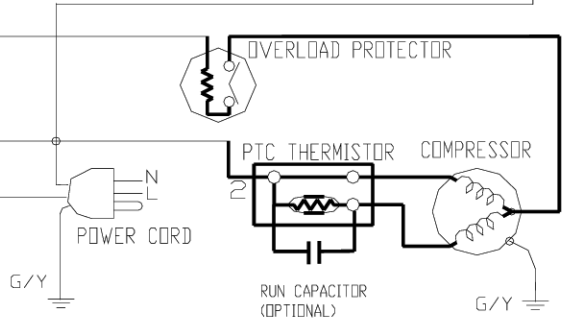
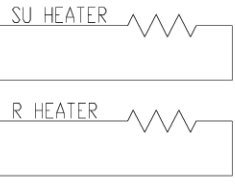
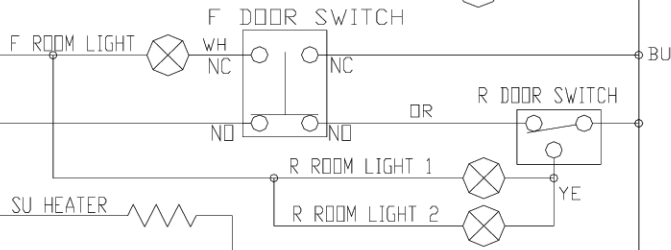
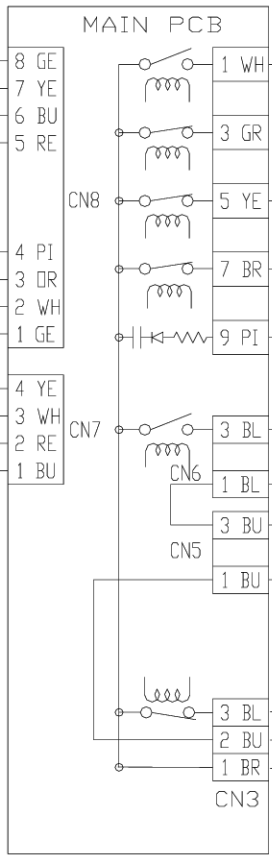


*Clock
 *Temperature bar graphic
 *Super freezing
 *Super cooling
 DISPLAY PCB



BR: BROWN RE: RED YE: YELLOW
 PI: PINK OR: ORANGE WH: WHITE GE: GREEN
 BL: BLACK GR: GRAY BU: BLUE G/Y: GREEN & YELLOW