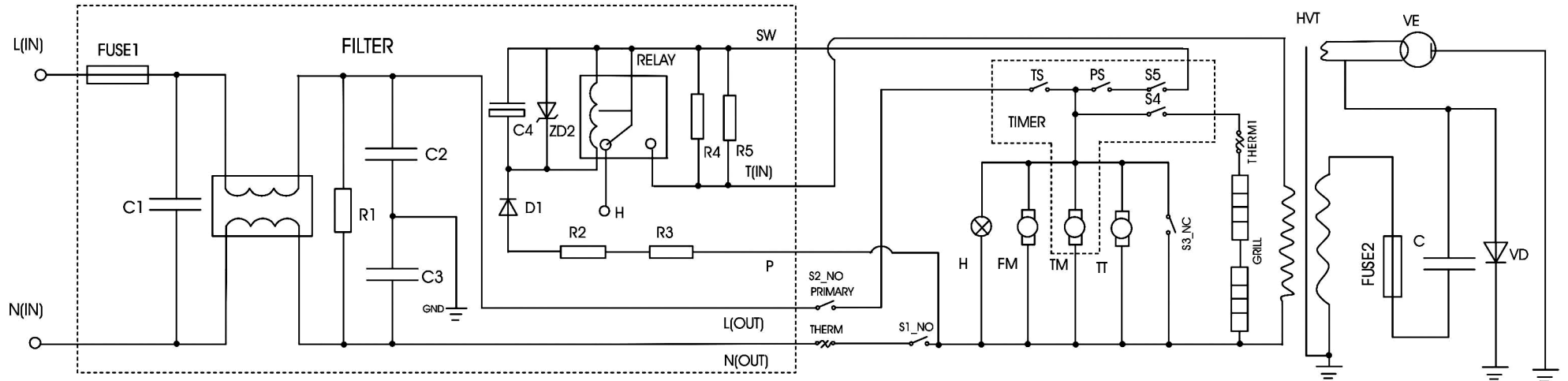


E2 (M2102MAQM) TSANN KUEN



C = HIGH VOLTAGE CAPACITOR
 FILTER = NOISE FILTER
 FM = FAN MOTOR
 GND = EARTH
 GRILL = GRILL HEATER ELEMENT
 FUSE1 = MAIN FUSE
 FUSE2 = HIGH VOLTAGE FUSE
 H = OVEN LAMP
 HVT = HIGH VOLTAGE TRANSFORMER
 L(IN) = MAIN PHASE
 N(IN) = MAIN NEUTRAL
 PS = POWER SWITCH

RELAY = INRUSH RELAY
 S1 = SECONDARY SWITCH
 S2 = PRIMARY SWITCH
 S3 = MONITOR SWITCH
 S4 = GRILL SWITCH
 S5 = MICROWAVE SWITCH
 THERM = OVEN THERMAL PROTECTOR
 THERM1 = GRILL THERMAL PROTECTOR
 TM = TIMER MOTOR
 TS = TIMER SWITCH
 TT = TURNTABLE MOTOR
 VD = HIGH VOLTAGE DIODE
 VE = MAGNETRON