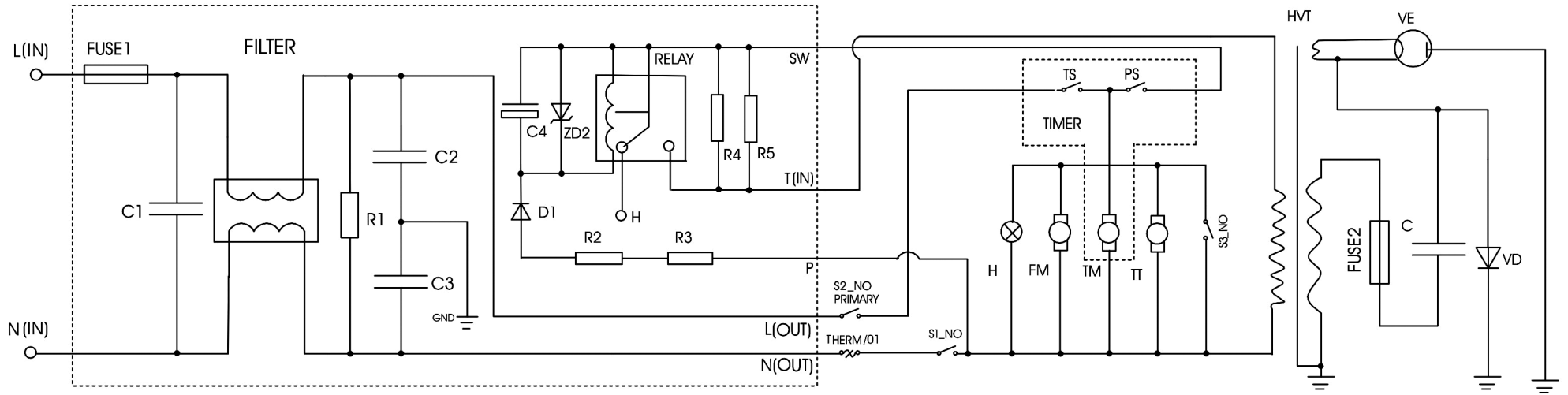


E1 (M2102MA) TSANN KUEN



C = HIGH VOLTAGE CAPACITOR  
 FILTER = NOISE FILTER  
 FM = FAN MOTOR  
 FUSE1 = MAIN FUSE  
 FUSE2 = HIGH VOLTAGE FUSE  
 GND = EARTH  
 H = OVEN LAMP  
 HVT = HIGH VOLTAGE TRANSFORMER  
 L(IN) = MAIN PHASE  
 N(IN) = MAIN NEUTRAL  
 PS = POWER SWITCH

RELAY = INRUSH RELAY  
 S1 = SECONDARY SWITCH  
 S2 = PRIMARY SWITCH  
 S3 = MONITOR SWITCH  
 THERM/O1 = THERMAL PROTECTOR  
 TM = TIMER MOTOR  
 TS = TIMER SWITCH  
 TT = TURNTABLE MOTOR  
 VD = HIGH VOLTAGE DIODE  
 VE = MAGNETRON