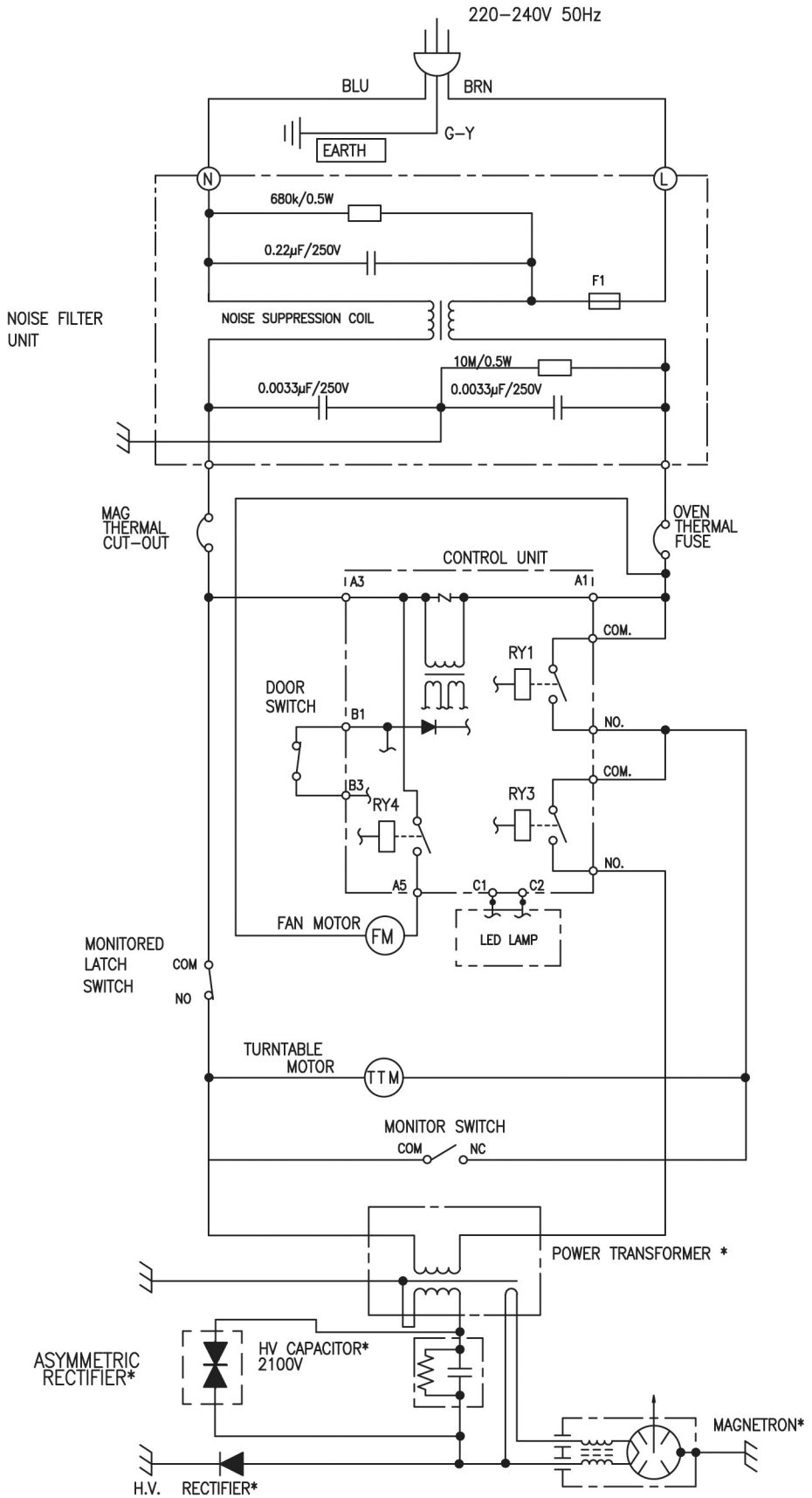


Oven Schematic - OFF Condition, Door Closed



*INDICATES COMPONENTS WITH A POTENTIAL ABOVE 250V