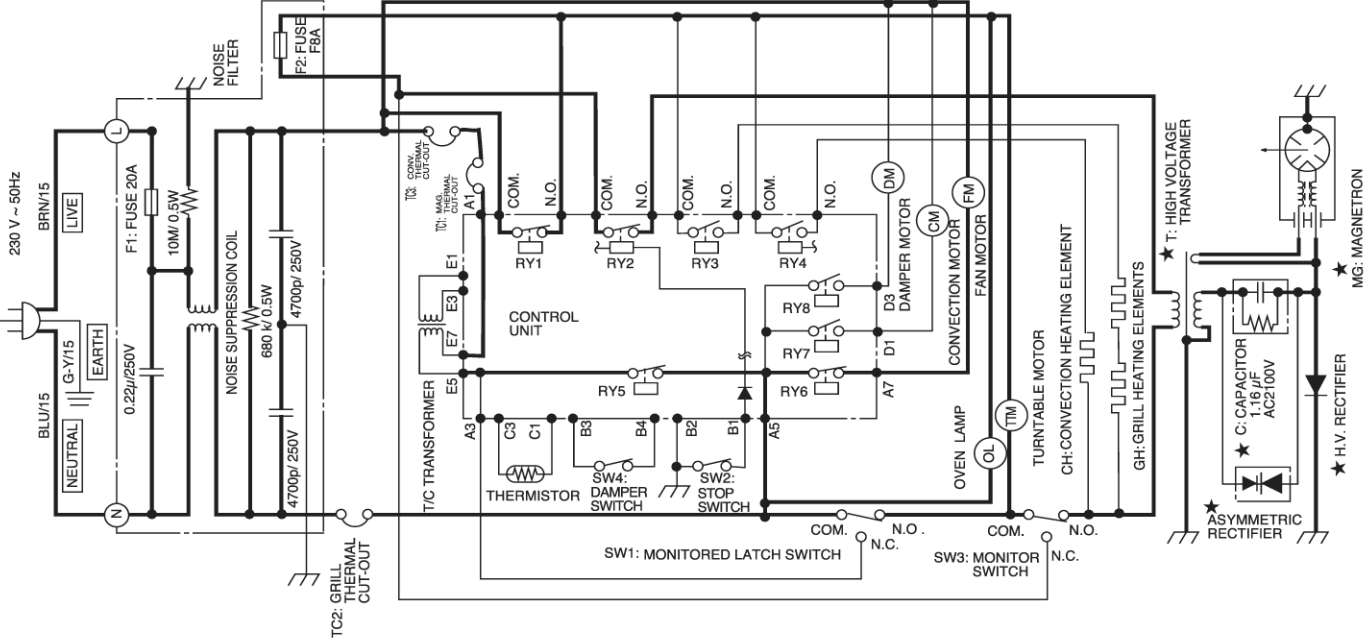


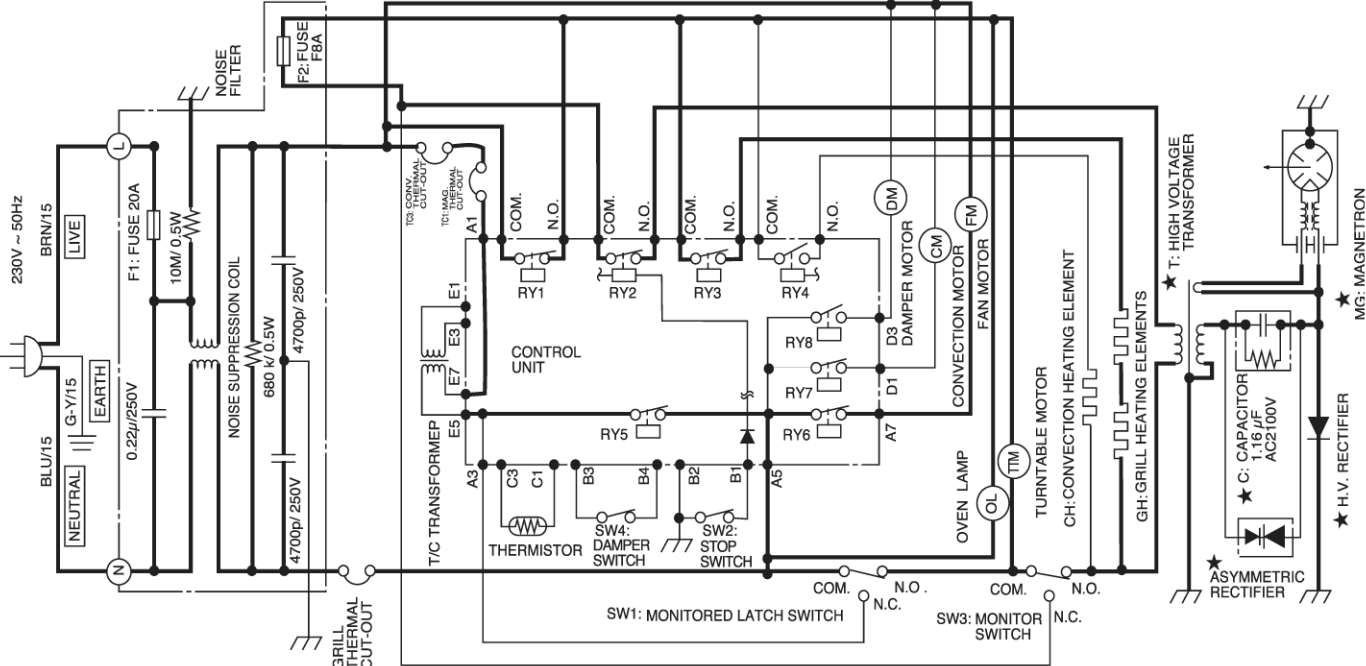
SCHEMATIC
 NOTE: CONDITION OF OVEN
 1. DOOR CLOSED.
 3. " . O" APPEARS ON DISPLAY.

Note:
 AC CORD CONNECTION
 BRN : BROWN
 BLU : BLUE
 G-Y : GREEN AND YELLOW STRIPE
 /15 : SECTIONAL AREA OF 1.5mm² MIN.
 ★ Indicates components with potential above 250 V.



Oven Schematic-OFF Condition after the oven door is closed.

NOTE: CONDITION OF OVEN
 1. DOOR CLOSED.
 2. COOKING TIME ENTERED.
 3. START KEY TOUCHED.



Oven Schematic-Microwave cooking Condition